



# **SECTION 10**

# **WIRING DIAGRAMS AND SCHEMATICS**

# Wiring Diagrams / Schematics **Built-In (600-3) Series**



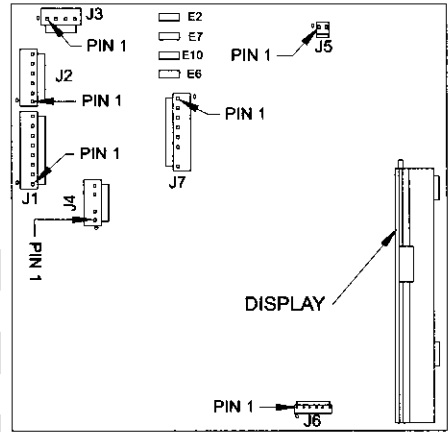
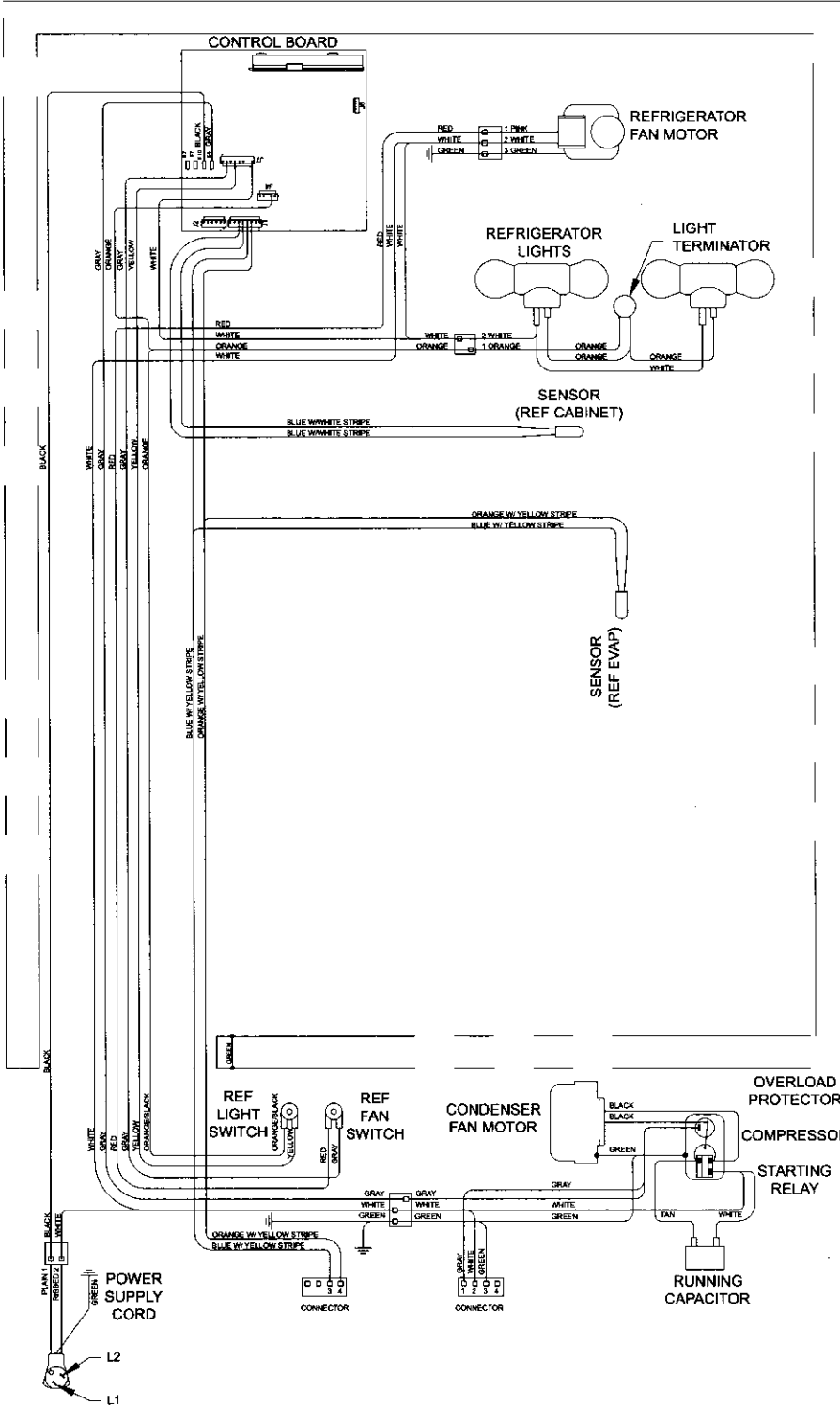
P/N 7001945 REV A

## WIRING DIAGRAM

### MODEL: 601R-3

**WARNING**

-This wiring information is provided for use by qualified service personnel only.  
 -Disconnect appliance from electrical supply before beginning service.  
 -Be sure all grounding devices are connected when service is complete.  
 -Failure to observe the above warnings may result in severe electrical shock.



**CONTROL BOARD DETAIL**

CIRCUIT	DESCRIPTION	FUNCTION	COLOR
E2	DEF HTR	NOT USED	
E7	FCOMP	NOT USED	
E10	L1	POWER INTO BOARD	BLACK
E6	RCOMP	POWERS REF COMPRESSOR AND CONDENSER FAN	GRAY
J7-1	C FAN	NOT USED	GRAY
J7-2	REF EVAP FAN	POWERS REF EVAP FAN	YELLOW
J7-3	LITES	POWERS LIGHTS	
J7-5	NOT USED		
J7-6	NOT USED (AND PIN)		
J7-6	NEU	NEUTRAL INTO BOARD	WHITE
J4-1	NOT USED		ORANGE
J4-2	REF DOOR LIGHT SENSE	SENSES IF REF DOOR OPEN	
J4-3	NOT USED (AND PIN)		
J4-4	NOT USED		
J4-5	NOT USED		
J1-1	LOW VOLTAGE THERMISTOR CIRCUITS		
J1-2	NOT USED		
J1-3	SENSES REF EVAP TEMP	SENSES REF EVAP TEMP	ORANGE/YLW
J1-4	SENSES REF EVAP TEMP	SENSES REF EVAP TEMP	BLUE/YLW
J1-5	REF COMPARTMENT	SENSES REF CABINET TEMP	BLUE/WHITE
J1-6	REF COMPARTMENT	SENSES REF CABINET TEMP	BLUE/WHITE
J1-7	NOT USED		
J1-8	NOT USED		

P/N 7001945 REV A

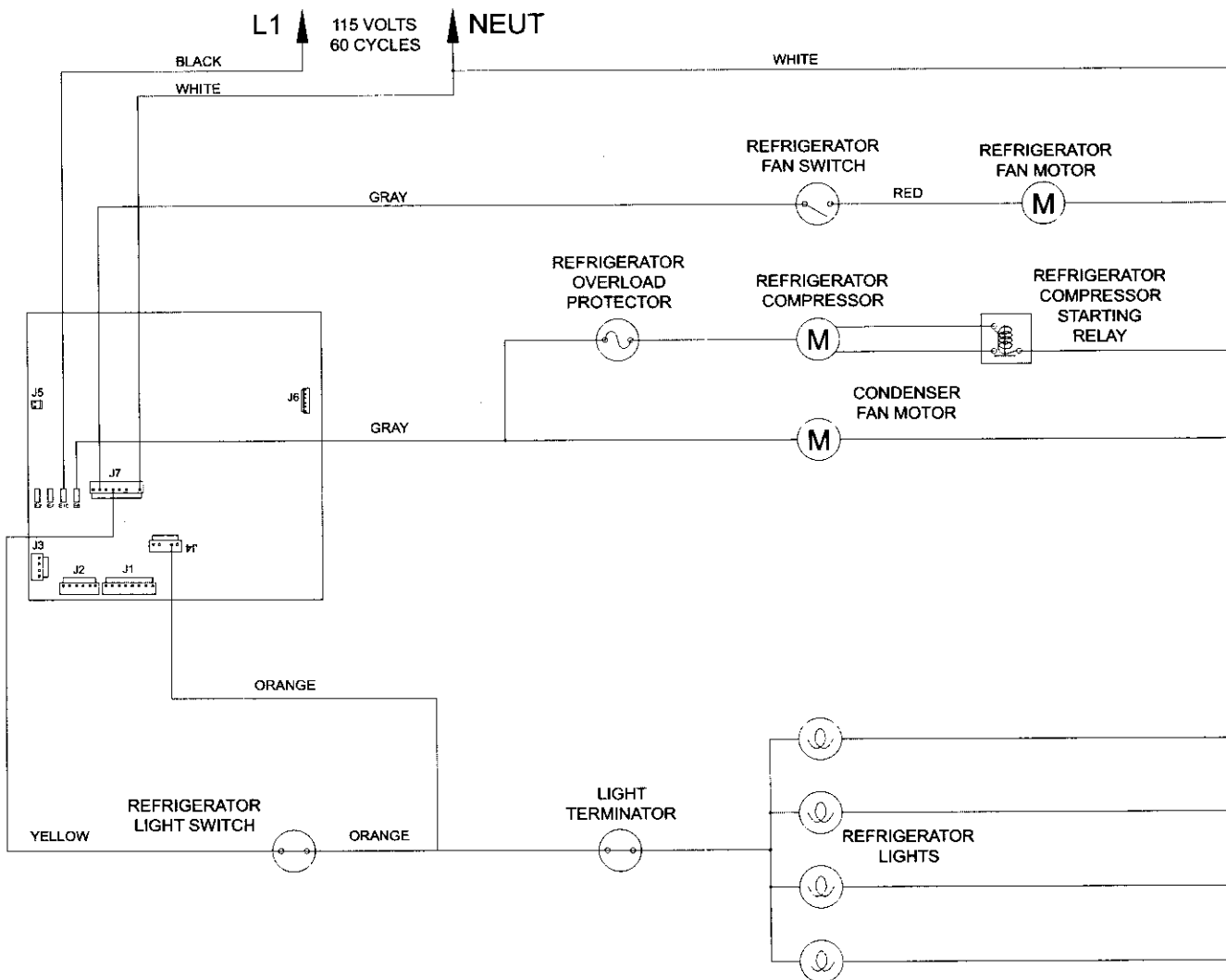
# WIRING SCHEMATIC

## MODEL: 601R-3

### WARNING

- This wiring information is provided for use by qualified service personnel only.
- Disconnect appliance from electrical supply before beginning service.
- Be sure all grounding devices are connected when service is complete.
- Failure to observe the above warnings may result in severe electrical shock.

HIGH VOLTAGE WIRING SCHEMATIC

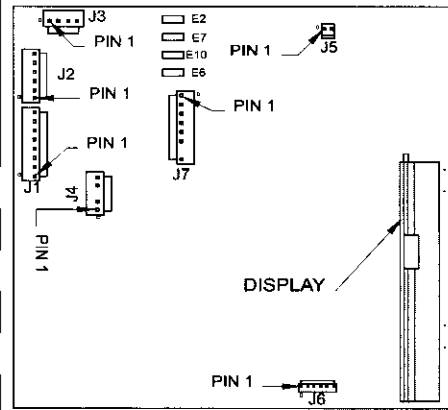
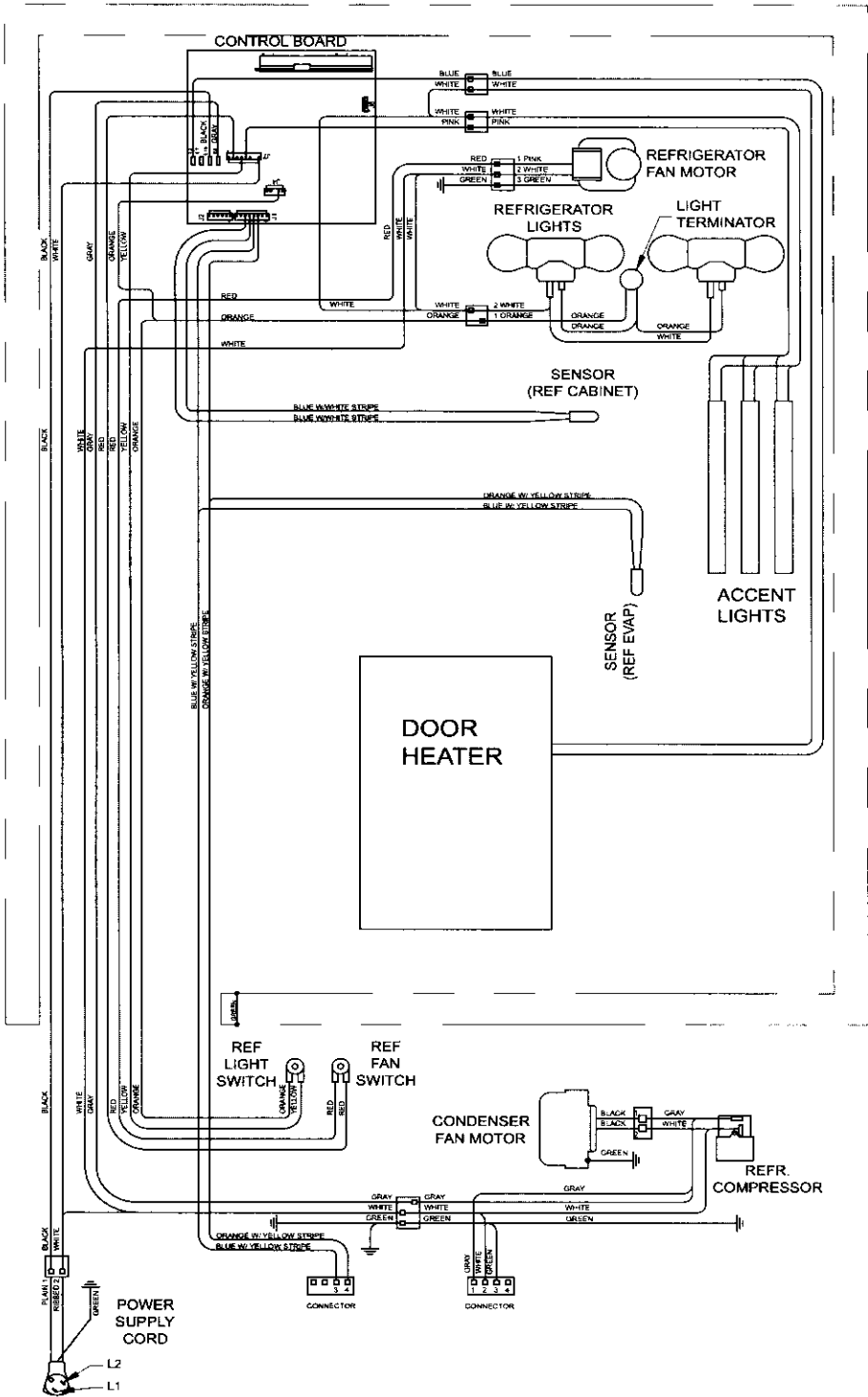


# WIRING DIAGRAM

## MODEL: 601RG-3

**WARNING**

- This wiring information is provided for use by qualified service personnel only.
- Disconnect appliance from electrical supply before beginning service.
- Be sure all grounding devices are connected when service is complete.
- Failure to observe the above warnings may result in severe electrical shock.



**CONTROL BOARD DETAIL**

**CONTROL BOARD SUMMARY**

CIRCUIT	DESCRIPTION	FUNCTION	COLOR
E2	120 VOLT CIRCUITS	POWERS DOOR HEATER	BLUE
E7	DOOR HEATER	POWERS DOOR HEATER	BLACK
E0	FOAMP	POWER INTO BOARD	GRAY
E5	POWER IN	POWERS REF COMPRESSOR AND CONDENSER FAN	GRAY
J1-1	REF COMPRESSOR	POWERS REF COMPRESSOR AND CONDENSER FAN	RED
J1-2	C FAN	POWERS REF EVAP FAN	YELLOW
J1-3	E FAN	POWERS REF EVAP FAN	PINK
J1-4	LIGHTS	POWERS LIGHTS	WHITE
J1-5	ICE	ACCENT LIGHTS	ORANGE
J1-6	NOT USED	ACCENT LIGHTS	ORANGE
J1-7	NOT USED (NO PIN)	NEUTRAL INTO BOARD	ORANGE
J1-8	NEU	SENSES IF REF DOOR OPEN	ORANGE/YLW
J4-1	NOT USED	SENSES IF REF DOOR OPEN	BLUE/YLW
J4-2	REF DOOR LIGHT SENSE	SENSES REF EVAP TEMP	BLUE/YLW
J4-3	NOT USED (NO PIN)	SENSES REF CABINET TEMP	BLUE/WHITE
J4-4	NOT USED	SENSES REF CABINET TEMP	BLUE/WHITE
J4-5	NOT USED	SENSES REF CABINET TEMP	BLUE/WHITE
J1-1	LOW VOLT THERMISTOR CIRCUITS	SENSES REF EVAP TEMP	ORANGE/YLW
J1-2	NOT USED	SENSES REF EVAP TEMP	BLUE/YLW
J1-3	REF EVAP	SENSES REF CABINET TEMP	BLUE/WHITE
J1-4	REF COMPARTMENT	SENSES REF CABINET TEMP	BLUE/WHITE
J1-5	REF COMPARTMENT	SENSES REF CABINET TEMP	BLUE/WHITE
J1-6	REF COMPARTMENT	SENSES REF CABINET TEMP	BLUE/WHITE
J1-7	NOT USED	SENSES REF CABINET TEMP	BLUE/WHITE
J1-8	NOT USED	SENSES REF CABINET TEMP	BLUE/WHITE

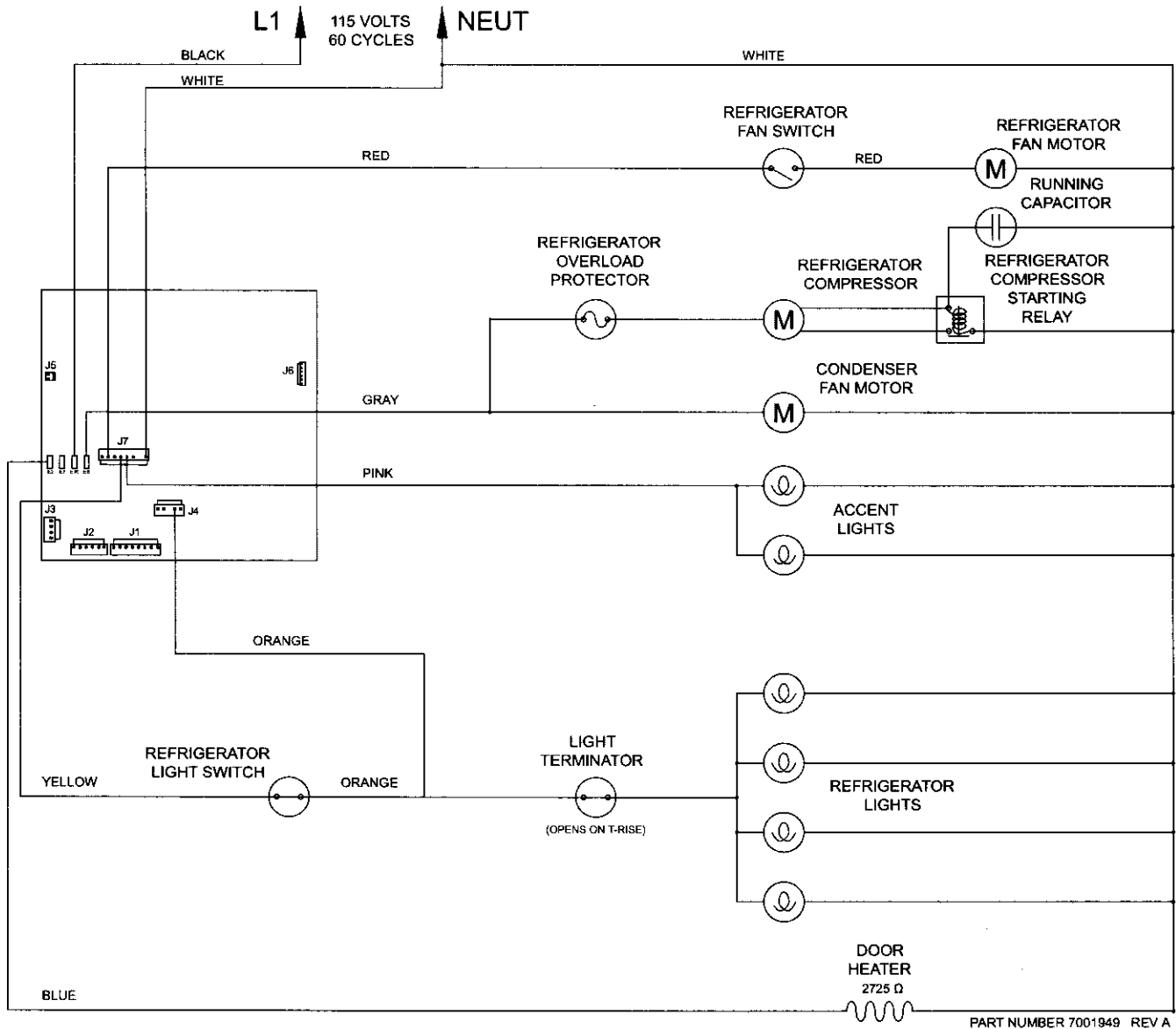
PART NUMBER 7001949 REV A

## WIRING SCHEMATIC MODEL: 601RG-3

### ⚠ WARNING

-This wiring information is provided for use by qualified service personnel only.  
 -Disconnect appliance from electrical supply before beginning service.  
 -Be sure all grounding devices are connected when service is complete.  
 -Failure to observe the above warnings may result in severe electrical shock.

HIGH VOLTAGE WIRING SCHEMATIC

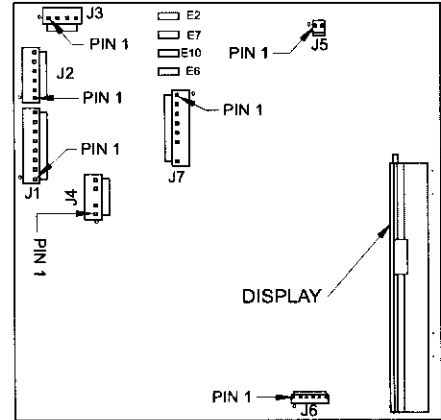
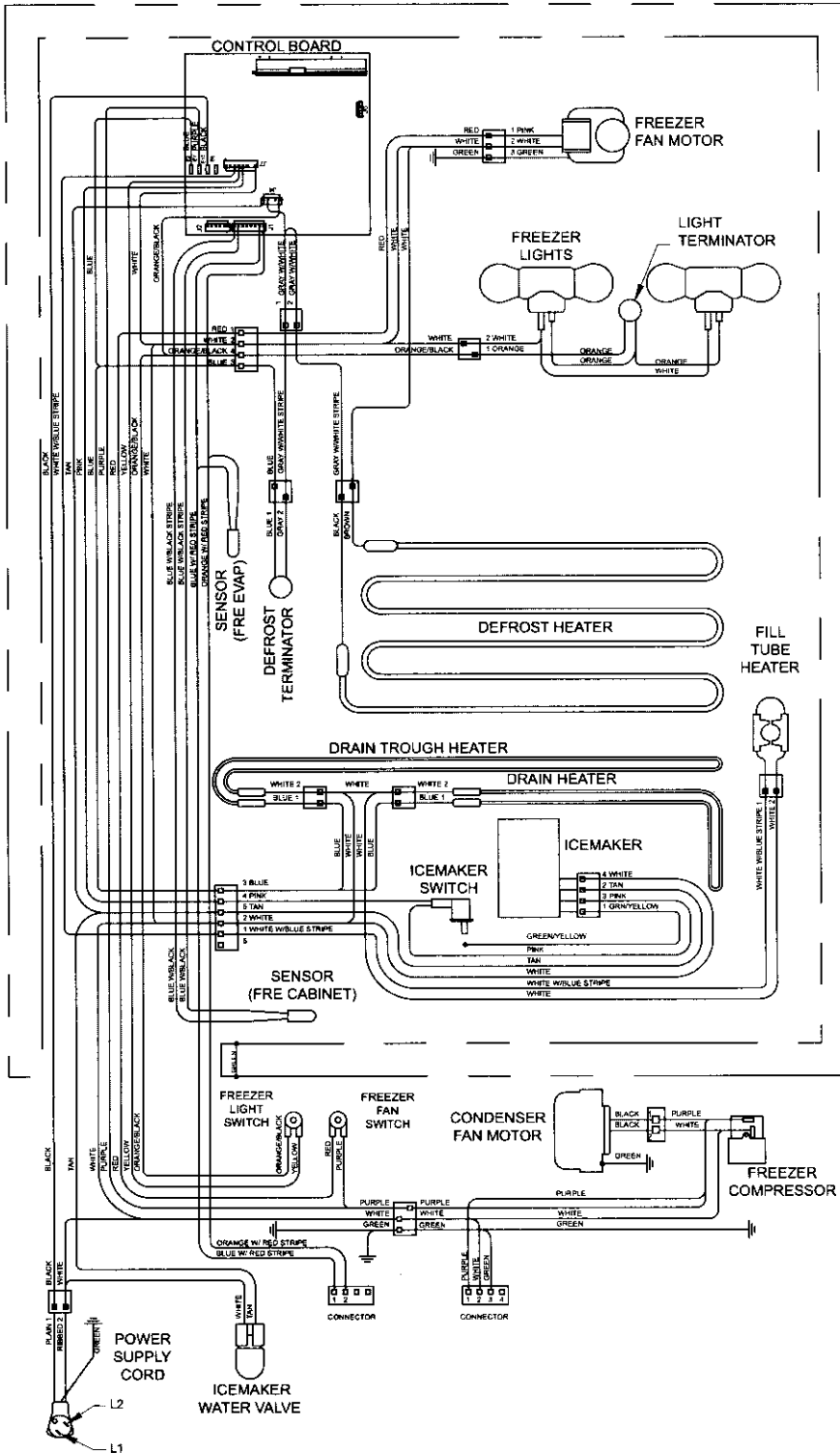


# WIRING DIAGRAM

## MODEL: 601F-3

### WARNING

-The wiring information is provided for use by qualified service personnel only.  
 -Disconnect appliance from electrical supply before beginning service.  
 -Be sure all grounding devices are connected when service is complete.  
 -Failure to observe the above warnings may result in severe electrical shock.



CONTROL BOARD DETAIL

### CONTROL BOARD SUMMARY

CIRCUIT	DESCRIPTION	FUNCTION	COLOR
E2	DEFROST HEATER	120 VOLT CIRCUITS	BLUE
E7	FRZ COMPRESSOR	POWERS DEFROST CIRCUIT	PURPLE
E10	L1	POWERS FRZ COMPRESSOR AND CONDENSER FAN	BLACK
E6	COMP	POWER INTO BOARD	
J7-1	NOT USED		
J7-2	NOT USED		
J7-3	ICE MAKER ACC (FILL TUBE)	POWERS FILL TUBE HEATER AND ACCESSORIES	WHITE/BLUE STRIPE
J7-4	ICE MAKER	POWERS LIGHTS	YELLOW
J7-5	ICE MAKER	POWERS ICE MAKER	PINK
J7-6	NOT USED		
J7-7	NOT USED (NO PIN)		
J7-8	FRZ DOOR LIGHT SENSE	NEUTRAL INTO BOARD	WHITE
J7-9	NOT USED	SENSES IF FRZ DOOR OPEN	ORANGE/BLACK
J4-1	NOT USED		
J4-2	NOT USED (NO PIN)		
J4-3	DEFROST SENSE	SENSES WHEN DEF HEATER SHUTS OFF	GRAY/WHITE
J4-4	DEFROST SENSE	SENSES WATER VALVE ACTIVATION	TAN
J4-5	ICE MAKER VALVE SENSE	LOW VOLTAGE THERMISTOR CIRCUITS	ORANGE/RED
J1-1	FRZ EVAP	SENSES FRZ EVAP TEMP	BLUE/RED
J1-2	NOT USED		
J1-3	NOT USED		
J1-4	NOT USED		
J1-5	NOT USED		
J1-6	FRZ COMPARTMENT	SENSES FRZ CABINET TEMP	BLUE/BLACK
J1-7	FRZ COMPARTMENT	SENSES FRZ CABINET TEMP	BLUE/BLACK
J1-8	FRZ COMPARTMENT		
J1-9	FRZ COMPARTMENT		

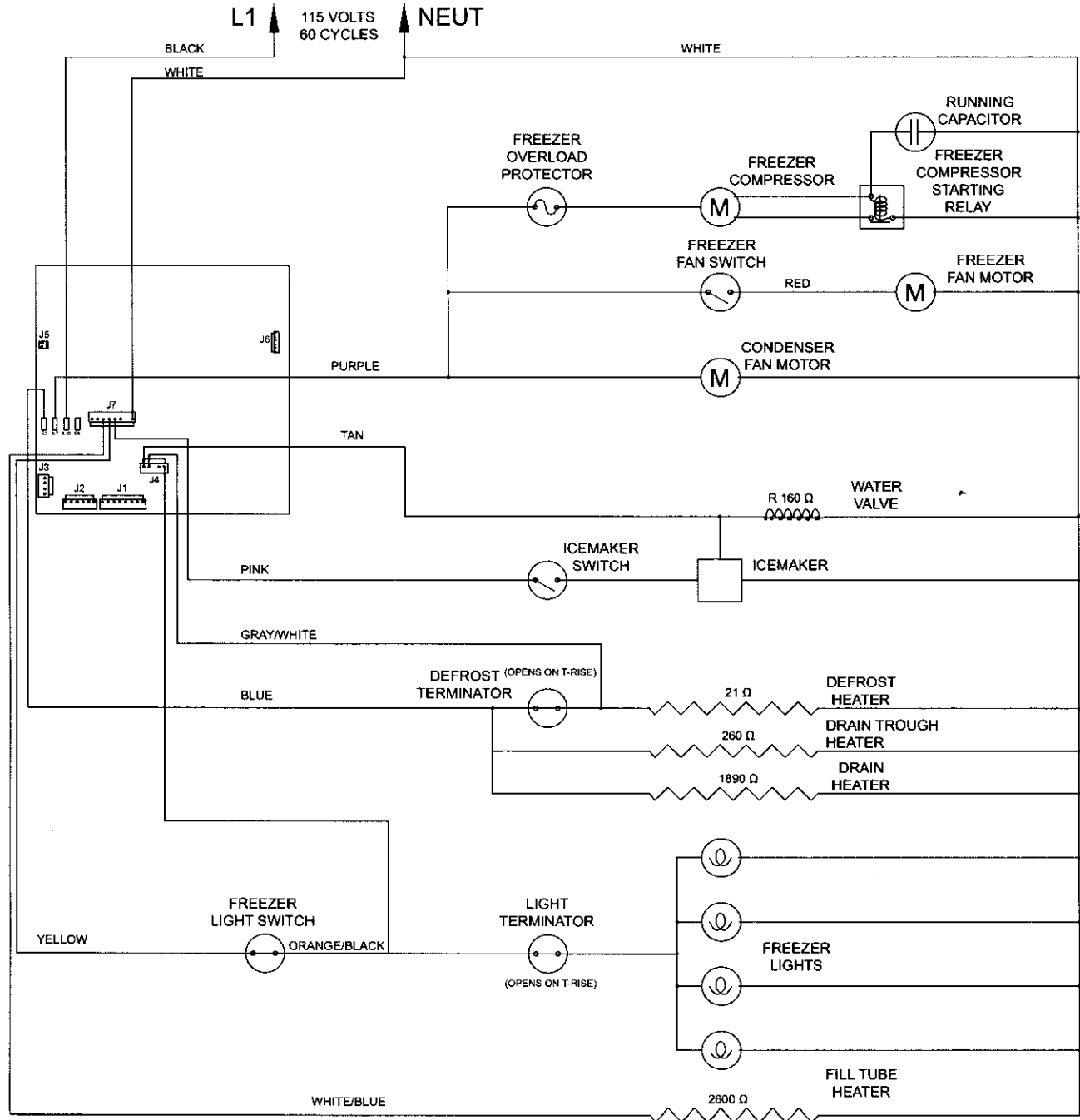
PART NUMBER 7002529 REV A

# WIRING SCHEMATIC MODEL: 601F-3

## ⚠ WARNING

-This wiring information is provided for use by qualified service personnel only.  
 -Disconnect appliance from electrical supply before beginning service.  
 -Be sure all grounding devices are connected when service is complete.  
 -Failure to observe the above warnings may result in severe electrical shock.

HIGH VOLTAGE WIRING SCHEMATIC

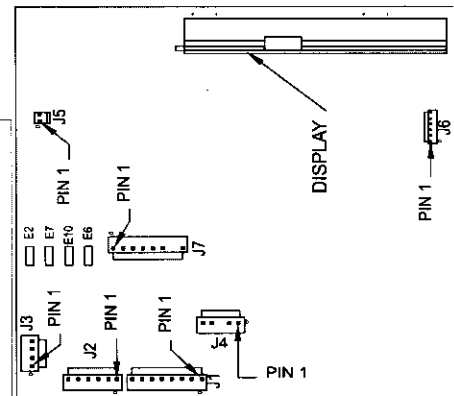
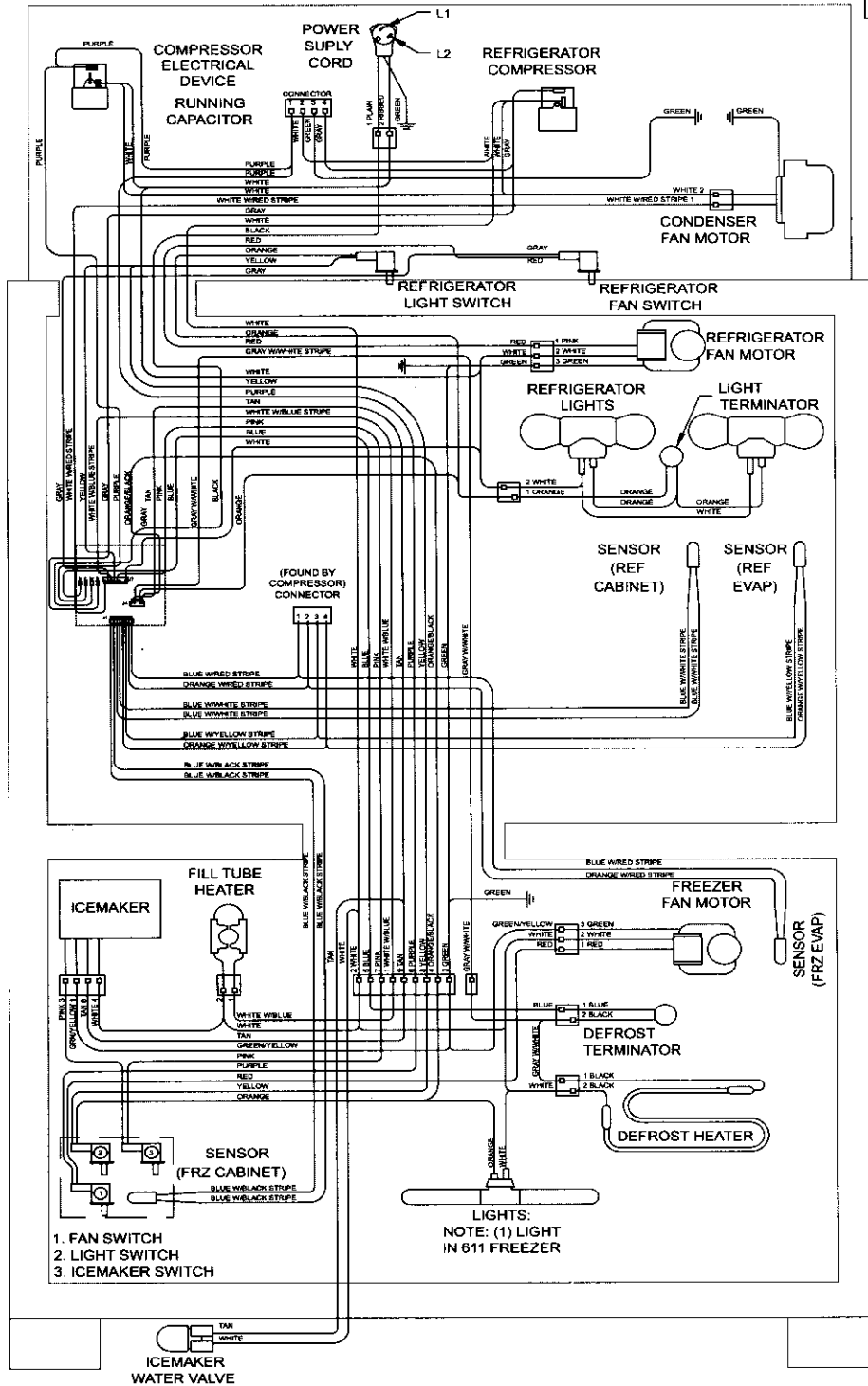


PART NUMBER 7002529 REV A

## WIRING DIAGRAM MODELS: 611-3 & 650-3

### WARNING

- This wiring information is provided for use by qualified service personnel only.
- Disconnect appliance from electrical supply before beginning service.
- Be sure all grounding devices are connected when service is complete.
- Failure to observe the above warnings may result in severe electrical shock.



CIRCUIT	DESCRIPTION	FUNCTION	COLOR
E7	120 VOLT CIRCUITS	POWER DISCONNECT CIRCUIT	BLUE
E7	REF COMP	POWER REF COMPRESSOR	PURPLE
E6	FCOMP	POWER INTO BOARD	BLACK
E6	ROOMP	POWER REF COMPRESSOR	BLACK
J3	REF COMP	POWER REF COMPRESSOR	WHITE/RED
E7	REF FAN	POWER REF COMPRESSOR FAN	GRAY
E7	ICE MANGER ACC (FILL TUBE)	POWER FILL TUBE HEATER AND ACCESSORIES	WHITE/BLUE
J4	LITE	POWER LIGHTS	YELLOW
J4	NOT USED	POWER ICE MANGER	PINK
J7	NEU	NEUTRAL	WHITE
J7	REF DOOR OPEN	SENSES REF DOOR OPEN	BROWN
J4	REF DOOR LIGHT SENSE	SENSES REF DOOR OPEN	ORANGE/BLACK
J4	NOT USED (NO PIN)		GREEN/WHITE
J4	ICE OFFER VALVE SENSE	SENSES ICE OFFER VALVE SENSORS OFF	TAN
J4	LOW VOLTAGE THERMISTOR CIRCUITS		
J1	REF EVAP	SENSES REF EVAP TEMP	ORANGE/RED
J1	REF EVAP	SENSES REF EVAP TEMP	ORANGE/YELLOW
J1	REF EVAP	SENSES REF EVAP TEMP	BLUE/YELLOW
J1	REF EVAP	SENSES REF EVAP TEMP	BLUE/WHITE
J1	REF COMPARTMENT	SENSES REF CABINET TEMP	BLUE/WHITE
J1	REF COMPARTMENT	SENSES REF CABINET TEMP	BLUE/BLACK
J1	REF COMPARTMENT	SENSES REF CABINET TEMP	BLUE/BLACK
J1	REF COMPARTMENT	SENSES REF CABINET TEMP	BLUE/BLACK

P/N 7001676 REV B

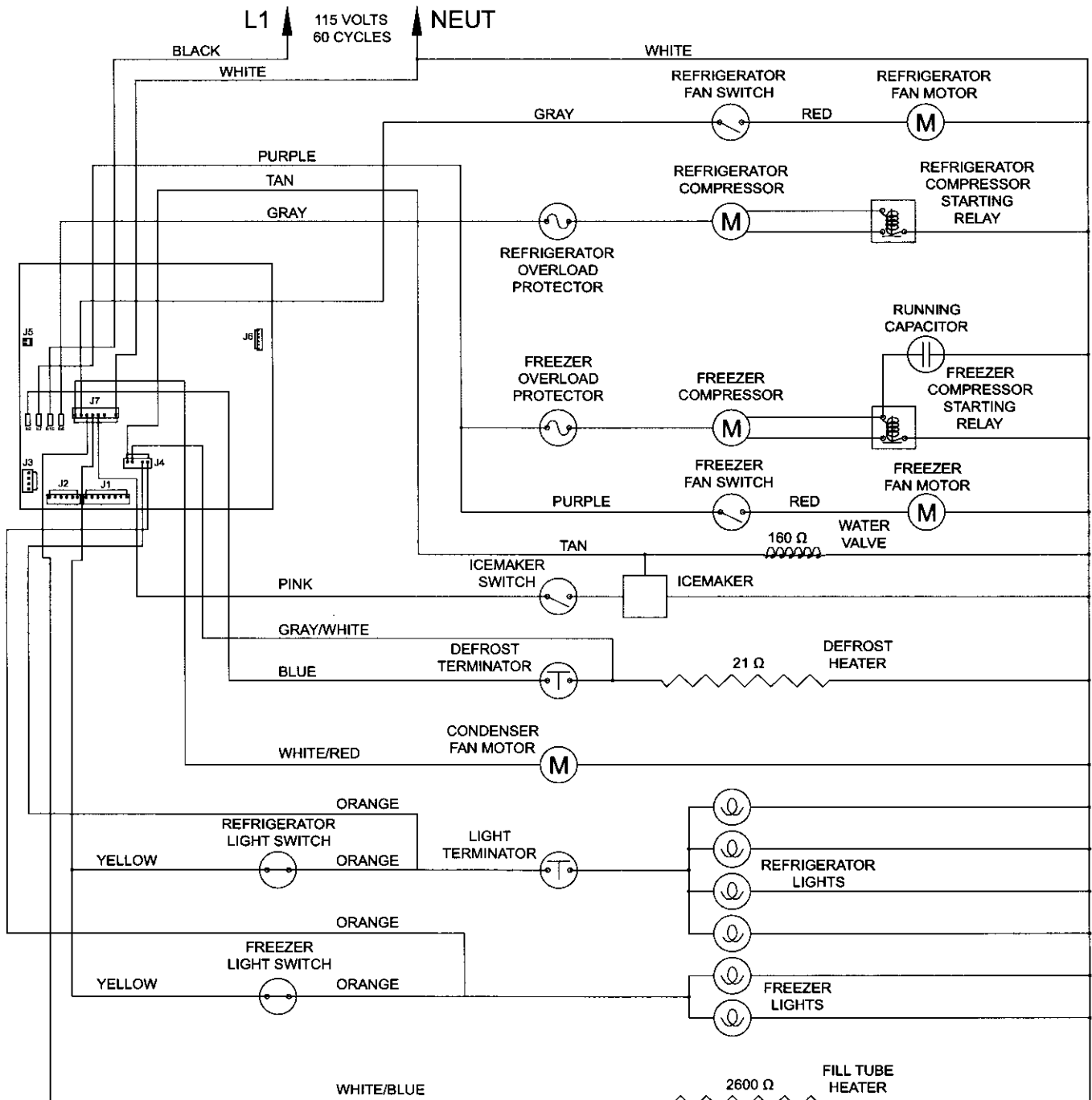


# WIRING SCHEMATIC

## MODELS: 611-3 & 650-3

### ⚠ WARNING

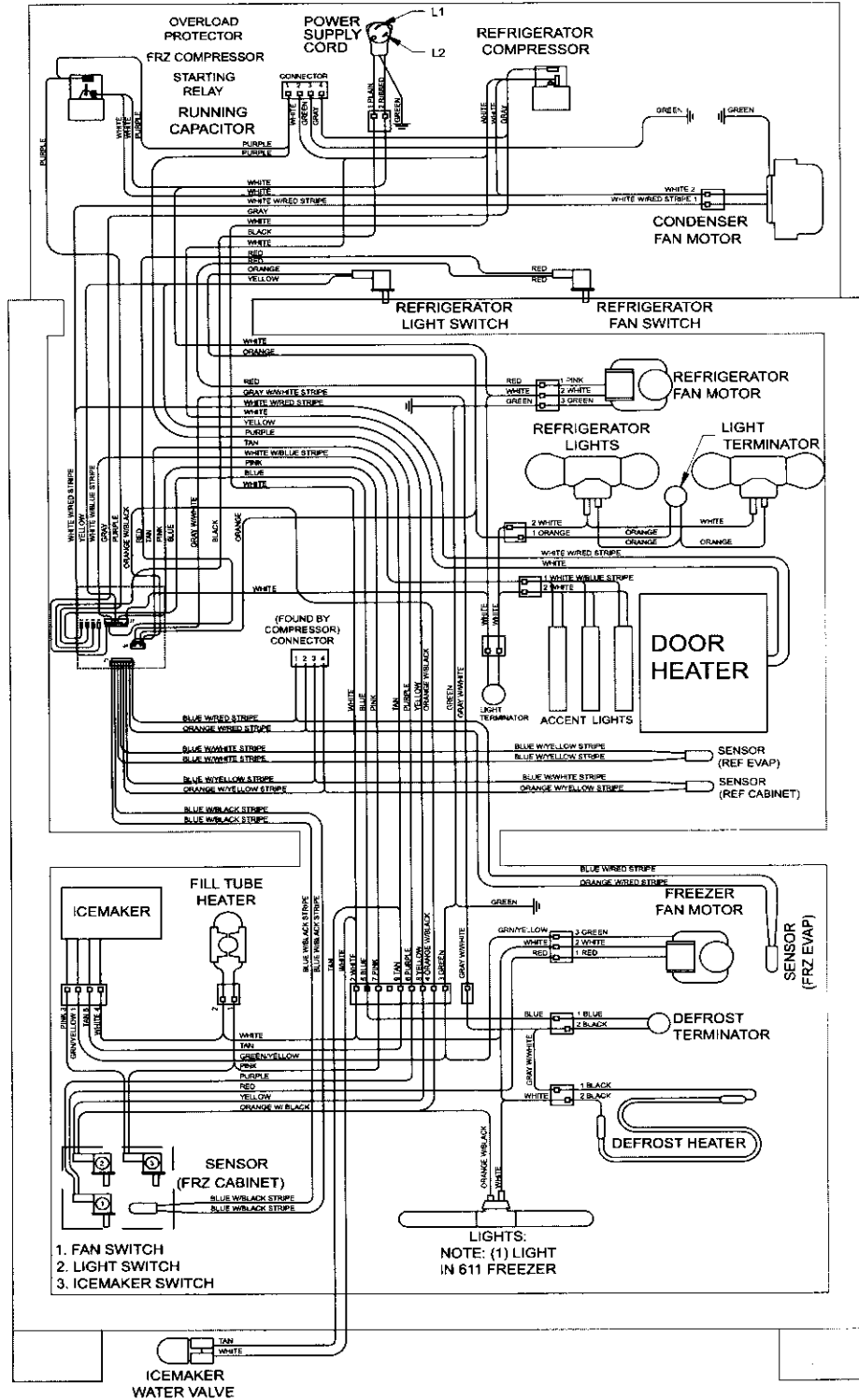
-This wiring information is provided for use by qualified service personnel only.  
 -Disconnect appliance from electrical supply before beginning service.  
 -Be sure all grounding devices are connected when service is complete.  
 -Failure to observe the above warnings may result in severe electrical shock.



P/N 7001676 REV B

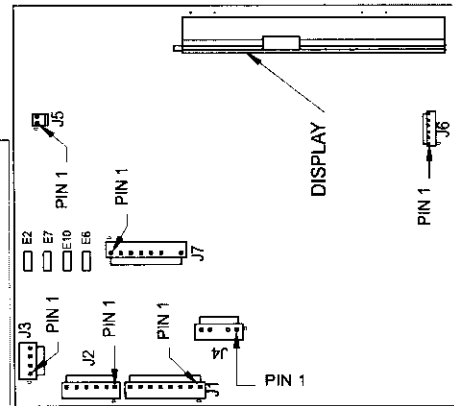


## WIRING DIAGRAM MODELS: 611G-3 & 650G-3



### **WARNING**

- This wiring information is provided for use by qualified service personnel only.
- Disconnect appliance from electrical supply before beginning service.
- Be sure all grounding devices are connected when service is complete.
- Failure to observe the above warnings may result in severe electrical shock.



CIRCUIT	DESCRIPTION	FUNCTION	COLOR
E1	120 VOLT CIRCUITS		BLUE
E2	FRZ COMPRESSOR	SENSES DEFROST CIRCUIT	PURPLE
E3	FRZ COMPRESSOR	POWER TO FRZ COMPRESSOR	BLACK
E4	FRZ COMPRESSOR	POWER TO REF COMPRESSOR	WHITE
E5	FRZ COMPRESSOR	POWER TO DEFROST HEATER	RED
E6	FRZ COMPRESSOR	POWER TO DEFROST HEATER	WHITE/BLUE
E7	FRZ COMPRESSOR	POWER TO DEFROST HEATER	YELLOW
E8	FRZ COMPRESSOR	POWER TO DEFROST HEATER	PINK
E9	FRZ COMPRESSOR	POWER TO DEFROST HEATER	ORANGE
E10	FRZ COMPRESSOR	POWER TO DEFROST HEATER	GRAY/WHITE
E11	FRZ COMPRESSOR	POWER TO DEFROST HEATER	TAN
E12	FRZ COMPRESSOR	POWER TO DEFROST HEATER	ORANGE/RED
E13	FRZ COMPRESSOR	POWER TO DEFROST HEATER	ORANGE/YELLOW
E14	FRZ COMPRESSOR	POWER TO DEFROST HEATER	BLUE/YELLOW
E15	FRZ COMPRESSOR	POWER TO DEFROST HEATER	BLUE/WHITE
E16	FRZ COMPRESSOR	POWER TO DEFROST HEATER	BLUE/BLACK
E17	FRZ COMPRESSOR	POWER TO DEFROST HEATER	BLUE/BLACK
E18	FRZ COMPRESSOR	POWER TO DEFROST HEATER	BLUE/BLACK
E19	FRZ COMPRESSOR	POWER TO DEFROST HEATER	BLUE/BLACK
E20	FRZ COMPRESSOR	POWER TO DEFROST HEATER	BLUE/BLACK
E21	FRZ COMPRESSOR	POWER TO DEFROST HEATER	BLUE/BLACK
E22	FRZ COMPRESSOR	POWER TO DEFROST HEATER	BLUE/BLACK
E23	FRZ COMPRESSOR	POWER TO DEFROST HEATER	BLUE/BLACK
E24	FRZ COMPRESSOR	POWER TO DEFROST HEATER	BLUE/BLACK
E25	FRZ COMPRESSOR	POWER TO DEFROST HEATER	BLUE/BLACK
E26	FRZ COMPRESSOR	POWER TO DEFROST HEATER	BLUE/BLACK
E27	FRZ COMPRESSOR	POWER TO DEFROST HEATER	BLUE/BLACK
E28	FRZ COMPRESSOR	POWER TO DEFROST HEATER	BLUE/BLACK
E29	FRZ COMPRESSOR	POWER TO DEFROST HEATER	BLUE/BLACK
E30	FRZ COMPRESSOR	POWER TO DEFROST HEATER	BLUE/BLACK
E31	FRZ COMPRESSOR	POWER TO DEFROST HEATER	BLUE/BLACK
E32	FRZ COMPRESSOR	POWER TO DEFROST HEATER	BLUE/BLACK
E33	FRZ COMPRESSOR	POWER TO DEFROST HEATER	BLUE/BLACK
E34	FRZ COMPRESSOR	POWER TO DEFROST HEATER	BLUE/BLACK
E35	FRZ COMPRESSOR	POWER TO DEFROST HEATER	BLUE/BLACK
E36	FRZ COMPRESSOR	POWER TO DEFROST HEATER	BLUE/BLACK
E37	FRZ COMPRESSOR	POWER TO DEFROST HEATER	BLUE/BLACK
E38	FRZ COMPRESSOR	POWER TO DEFROST HEATER	BLUE/BLACK
E39	FRZ COMPRESSOR	POWER TO DEFROST HEATER	BLUE/BLACK
E40	FRZ COMPRESSOR	POWER TO DEFROST HEATER	BLUE/BLACK
E41	FRZ COMPRESSOR	POWER TO DEFROST HEATER	BLUE/BLACK
E42	FRZ COMPRESSOR	POWER TO DEFROST HEATER	BLUE/BLACK
E43	FRZ COMPRESSOR	POWER TO DEFROST HEATER	BLUE/BLACK
E44	FRZ COMPRESSOR	POWER TO DEFROST HEATER	BLUE/BLACK
E45	FRZ COMPRESSOR	POWER TO DEFROST HEATER	BLUE/BLACK
E46	FRZ COMPRESSOR	POWER TO DEFROST HEATER	BLUE/BLACK
E47	FRZ COMPRESSOR	POWER TO DEFROST HEATER	BLUE/BLACK
E48	FRZ COMPRESSOR	POWER TO DEFROST HEATER	BLUE/BLACK
E49	FRZ COMPRESSOR	POWER TO DEFROST HEATER	BLUE/BLACK
E50	FRZ COMPRESSOR	POWER TO DEFROST HEATER	BLUE/BLACK
E51	FRZ COMPRESSOR	POWER TO DEFROST HEATER	BLUE/BLACK
E52	FRZ COMPRESSOR	POWER TO DEFROST HEATER	BLUE/BLACK
E53	FRZ COMPRESSOR	POWER TO DEFROST HEATER	BLUE/BLACK
E54	FRZ COMPRESSOR	POWER TO DEFROST HEATER	BLUE/BLACK
E55	FRZ COMPRESSOR	POWER TO DEFROST HEATER	BLUE/BLACK
E56	FRZ COMPRESSOR	POWER TO DEFROST HEATER	BLUE/BLACK
E57	FRZ COMPRESSOR	POWER TO DEFROST HEATER	BLUE/BLACK
E58	FRZ COMPRESSOR	POWER TO DEFROST HEATER	BLUE/BLACK
E59	FRZ COMPRESSOR	POWER TO DEFROST HEATER	BLUE/BLACK
E60	FRZ COMPRESSOR	POWER TO DEFROST HEATER	BLUE/BLACK
E61	FRZ COMPRESSOR	POWER TO DEFROST HEATER	BLUE/BLACK
E62	FRZ COMPRESSOR	POWER TO DEFROST HEATER	BLUE/BLACK
E63	FRZ COMPRESSOR	POWER TO DEFROST HEATER	BLUE/BLACK
E64	FRZ COMPRESSOR	POWER TO DEFROST HEATER	BLUE/BLACK
E65	FRZ COMPRESSOR	POWER TO DEFROST HEATER	BLUE/BLACK
E66	FRZ COMPRESSOR	POWER TO DEFROST HEATER	BLUE/BLACK
E67	FRZ COMPRESSOR	POWER TO DEFROST HEATER	BLUE/BLACK
E68	FRZ COMPRESSOR	POWER TO DEFROST HEATER	BLUE/BLACK
E69	FRZ COMPRESSOR	POWER TO DEFROST HEATER	BLUE/BLACK
E70	FRZ COMPRESSOR	POWER TO DEFROST HEATER	BLUE/BLACK
E71	FRZ COMPRESSOR	POWER TO DEFROST HEATER	BLUE/BLACK
E72	FRZ COMPRESSOR	POWER TO DEFROST HEATER	BLUE/BLACK
E73	FRZ COMPRESSOR	POWER TO DEFROST HEATER	BLUE/BLACK
E74	FRZ COMPRESSOR	POWER TO DEFROST HEATER	BLUE/BLACK
E75	FRZ COMPRESSOR	POWER TO DEFROST HEATER	BLUE/BLACK
E76	FRZ COMPRESSOR	POWER TO DEFROST HEATER	BLUE/BLACK
E77	FRZ COMPRESSOR	POWER TO DEFROST HEATER	BLUE/BLACK
E78	FRZ COMPRESSOR	POWER TO DEFROST HEATER	BLUE/BLACK
E79	FRZ COMPRESSOR	POWER TO DEFROST HEATER	BLUE/BLACK
E80	FRZ COMPRESSOR	POWER TO DEFROST HEATER	BLUE/BLACK
E81	FRZ COMPRESSOR	POWER TO DEFROST HEATER	BLUE/BLACK
E82	FRZ COMPRESSOR	POWER TO DEFROST HEATER	BLUE/BLACK
E83	FRZ COMPRESSOR	POWER TO DEFROST HEATER	BLUE/BLACK
E84	FRZ COMPRESSOR	POWER TO DEFROST HEATER	BLUE/BLACK
E85	FRZ COMPRESSOR	POWER TO DEFROST HEATER	BLUE/BLACK
E86	FRZ COMPRESSOR	POWER TO DEFROST HEATER	BLUE/BLACK
E87	FRZ COMPRESSOR	POWER TO DEFROST HEATER	BLUE/BLACK
E88	FRZ COMPRESSOR	POWER TO DEFROST HEATER	BLUE/BLACK
E89	FRZ COMPRESSOR	POWER TO DEFROST HEATER	BLUE/BLACK
E90	FRZ COMPRESSOR	POWER TO DEFROST HEATER	BLUE/BLACK
E91	FRZ COMPRESSOR	POWER TO DEFROST HEATER	BLUE/BLACK
E92	FRZ COMPRESSOR	POWER TO DEFROST HEATER	BLUE/BLACK
E93	FRZ COMPRESSOR	POWER TO DEFROST HEATER	BLUE/BLACK
E94	FRZ COMPRESSOR	POWER TO DEFROST HEATER	BLUE/BLACK
E95	FRZ COMPRESSOR	POWER TO DEFROST HEATER	BLUE/BLACK
E96	FRZ COMPRESSOR	POWER TO DEFROST HEATER	BLUE/BLACK
E97	FRZ COMPRESSOR	POWER TO DEFROST HEATER	BLUE/BLACK
E98	FRZ COMPRESSOR	POWER TO DEFROST HEATER	BLUE/BLACK
E99	FRZ COMPRESSOR	POWER TO DEFROST HEATER	BLUE/BLACK
E100	FRZ COMPRESSOR	POWER TO DEFROST HEATER	BLUE/BLACK

P/N 7001764 REV B

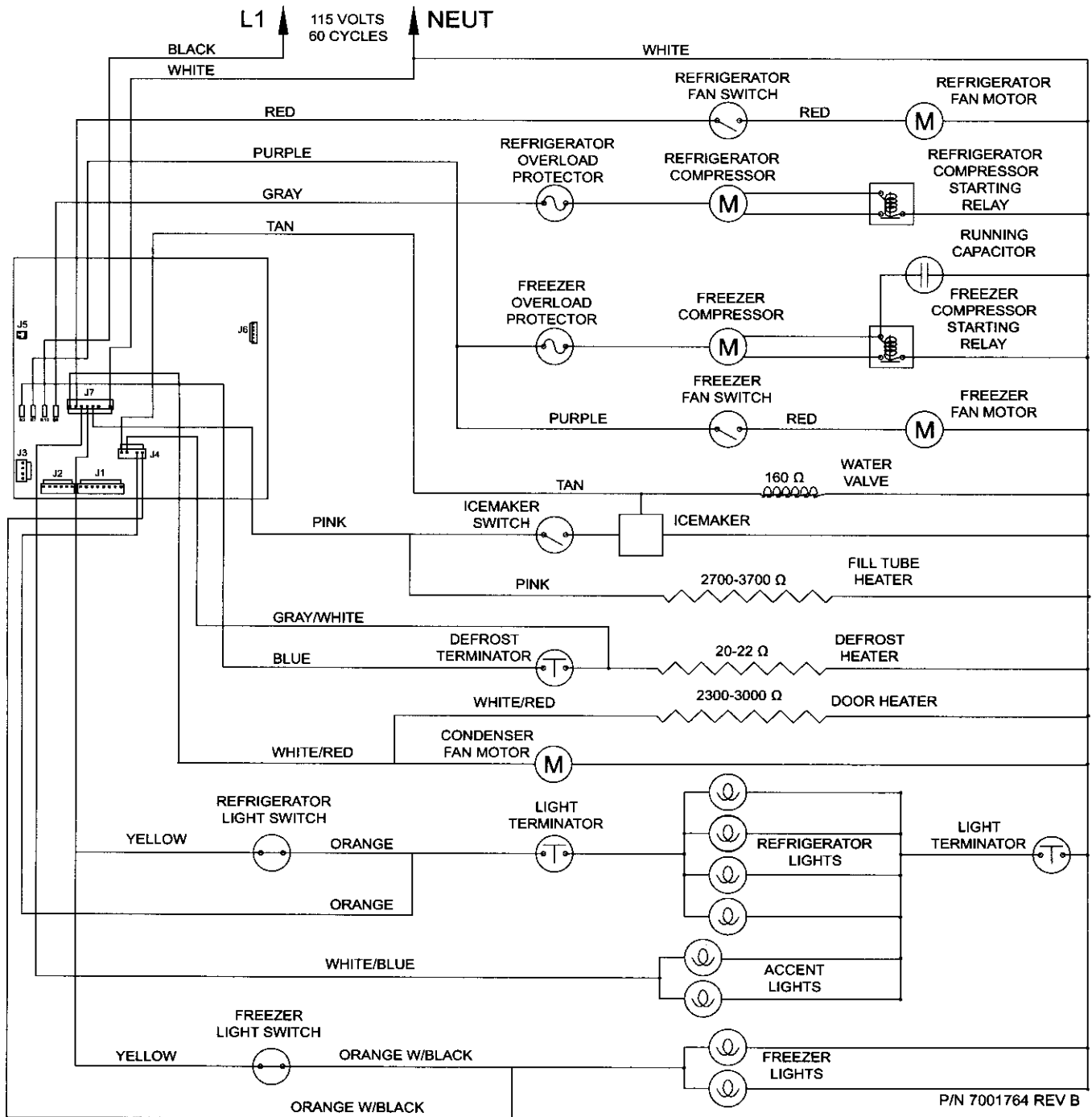
# WIRING SCHEMATIC

## MODELS: 611G-3/650G-3



**WARNING**

- This wiring information is provided for use by qualified service personnel only.
- Disconnect appliance from electrical supply before beginning service.
- Be sure all grounding devices are connected when service is complete.
- Failure to observe the above warnings may result in severe electrical shock.



P/N 7001764 REV B

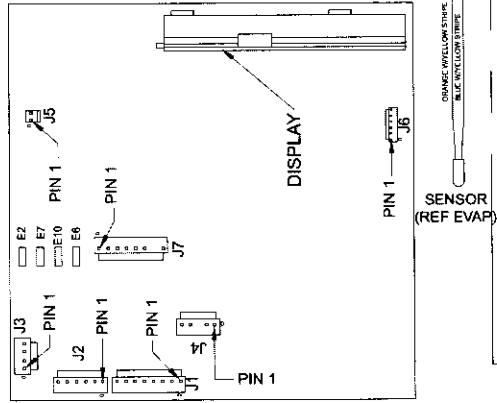
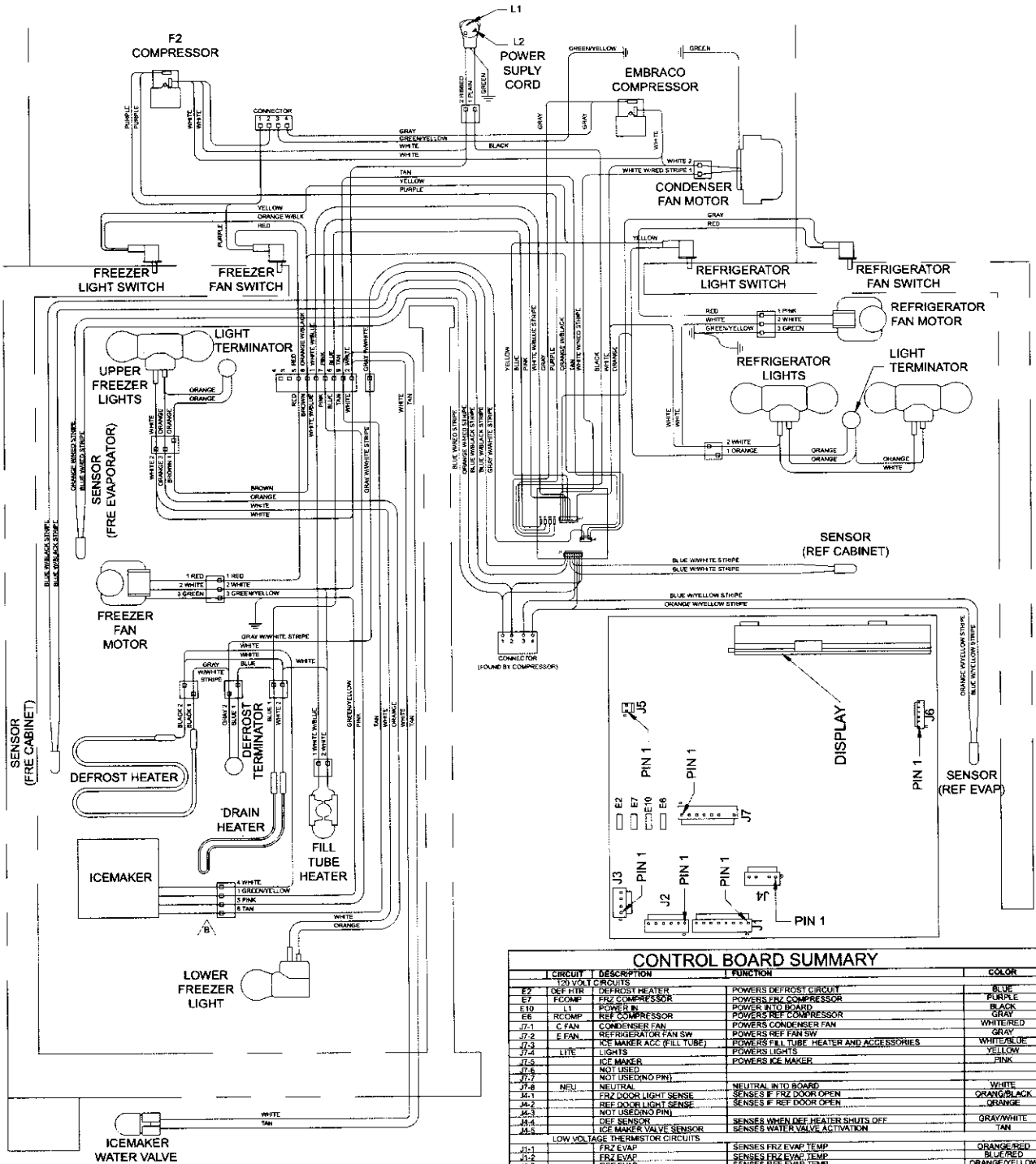


P/N 7002201 REV A

## WIRING DIAGRAM MODELS: 632-3/642-3

**⚠ WARNING**

-This wiring information is provided for use by qualified service personnel only.  
 -Disconnect appliance from electrical supply before beginning service.  
 -Be sure all grounding devices are connected when service is complete.  
 -Failure to observe the above warnings may result in severe electrical shock.



CIRCUIT	DESCRIPTION	FUNCTION	COLOR
E7	DEF HTR	DEFROST HEATER	BLUE
E7	FCOMP	FRZ COMPRESSOR	PURPLE
E10	L1	POWER IN	BLACK
E6	RCOMP	REF COMPRESSOR	GRAY
J1-1	C FAN	CONDENSER FAN	WHIT/RED
J1-2	F FAN	REFRIGERATOR FAN SW	GRAY
J1-3	ICE MAKER ACC (FILL TUBE)	POWERS FILL TUBE HEATER AND ACCESSORIES	WHIT/BLUE
J1-4	LITE	POWERS LIGHTS	TAN
J1-5	ICE MAKER	POWERS ICE MAKER	PINK
J1-6	NOT USED		
J1-7	NEUTRAL	NEUTRAL INTO BOARD	WHITE
J1-8	FRZ DOOR LIGHT SENSE	SENSES IF FRZ DOOR OPEN	ORANG/BLACK
J1-9	REF DOOR LIGHT SENSE	SENSES IF REF DOOR OPEN	ORANGE
J1-10	NOT USED (NO PIN)		
J1-11	DEF SENSOR	SENSES WHEN DEF HEATER SHUTS OFF	GRAY/WHITE
J1-12	ICE MAKER VALVE SENSOR	SENSES WATER VALVE ACTIVATION	TAN
LOW VOLTAGE THERMISTOR CIRCUITS			
J1-1	FRZ EVAP	SENSES FRZ EVAP TEMP	ORANGE/RED
J1-2	FRZ EVAP	SENSES FRZ EVAP TEMP	BLUE/RED
J1-3	REF EVAP	SENSES REF EVAP TEMP	ORANGE/YELLOW
J1-4	REF EVAP	SENSES REF EVAP TEMP	BLUE/YELLOW
J1-5	REF COMPARTMENT	SENSES REF COMPARTMENT	BLUE/WHITE
J1-6	REF COMPARTMENT	SENSES REF COMPARTMENT	BLUE/WHITE
J1-7	FRZ COMPARTMENT	SENSES FRZ COMPARTMENT	BLUE/BLACK
J1-8	FRZ COMPARTMENT	SENSES FRZ COMPARTMENT	BLUE/BLACK

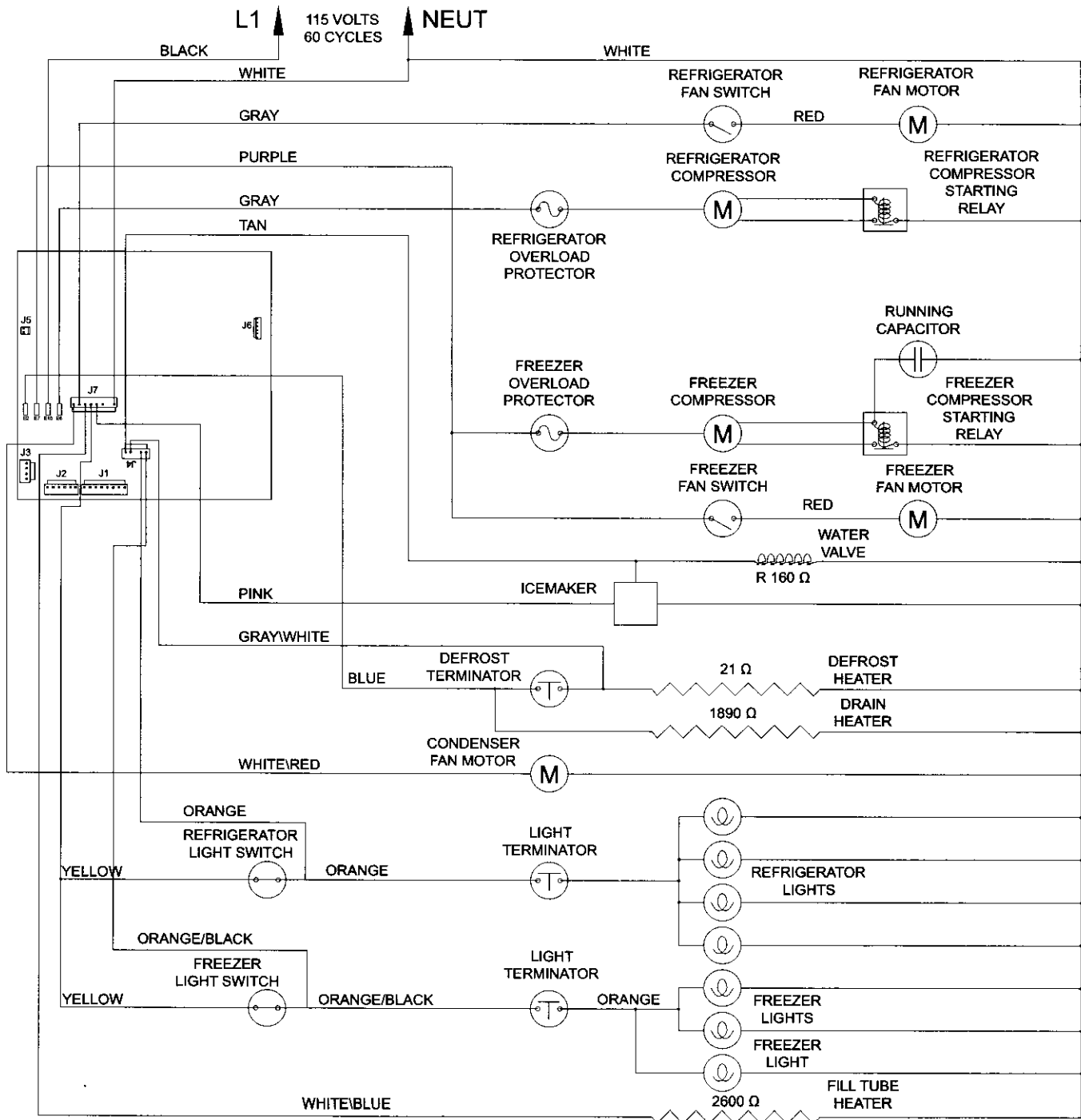
P/N 7003701 REV A

# WIRING SCHEMATIC

## MODELS: 632-3/642-3

**WARNING**

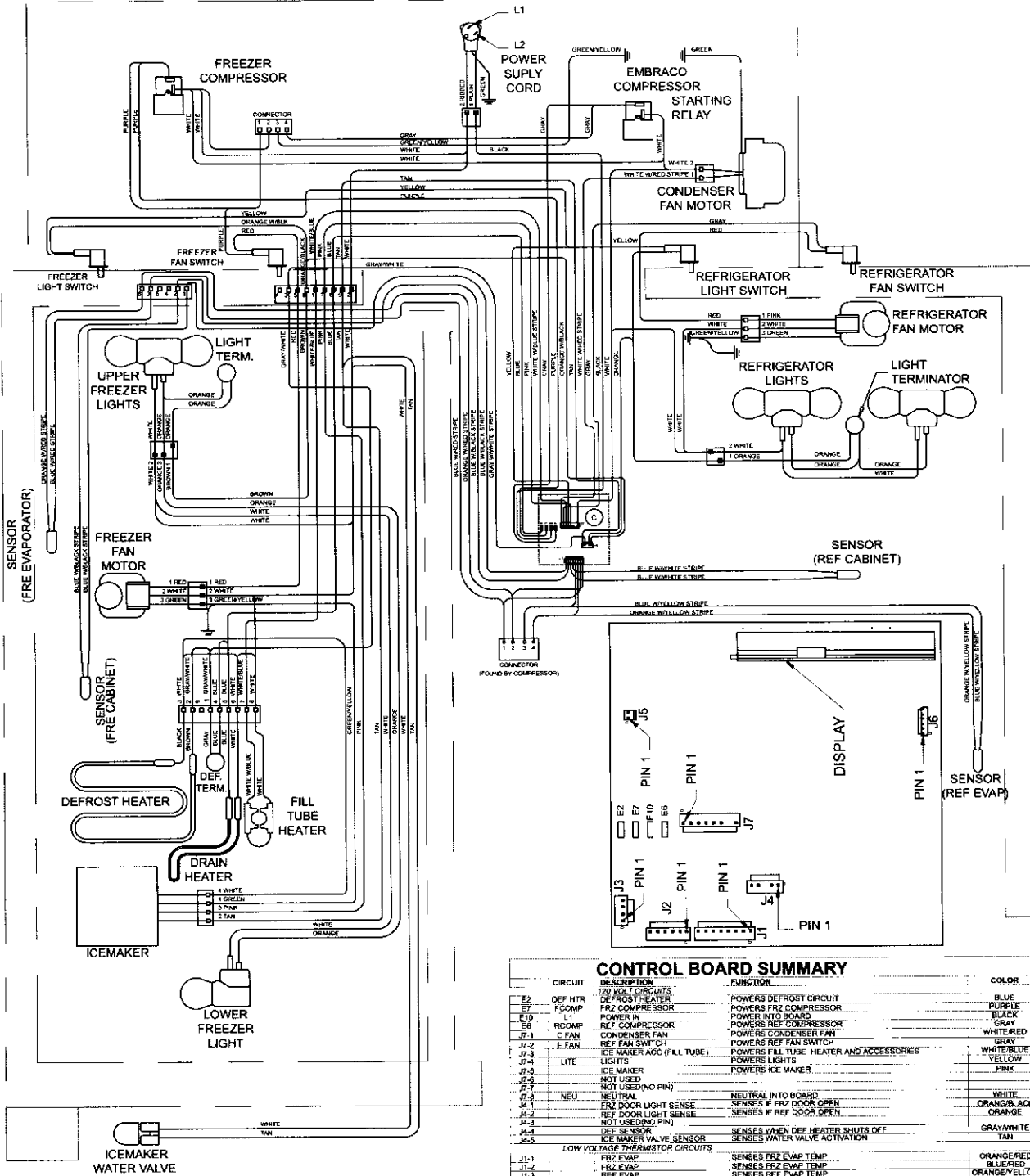
- This wiring information is provided for use by qualified service personnel only.
- Disconnect appliance from electrical supply before beginning service.
- Be sure all grounding devices are connected when service is complete.
- Failure to observe the above warnings may result in severe electrical shock.



WIRING DIAGRAM  
MODEL: 661-3

**WARNING**

-This wiring information is provided for use by qualified service personnel only.  
-Disconnect appliance from electrical supply before beginning service.  
-Be sure all grounding devices are connected when service is complete.  
-Failure to observe the above warnings may result in severe electrical shock.



P/N 7001968 REV A

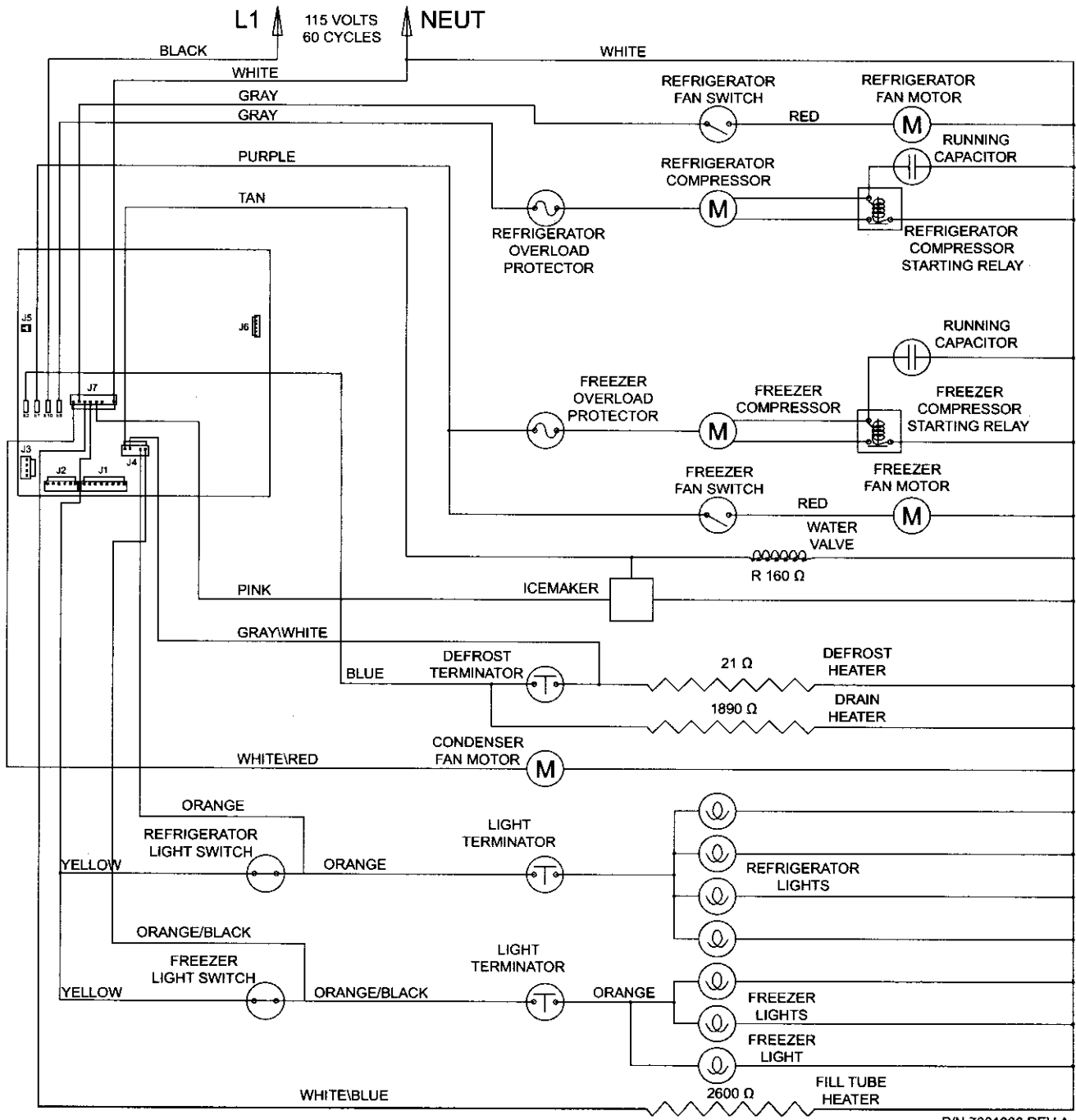
CIRCUIT	DESCRIPTION	FUNCTION	COLOR
E2	DEF HTR	DEFROST HEATER	BLUE
E7	FCOMP	FRZ COMPRESSOR	PURPLE
E10	L1	POWER IN	BLACK
E6	RCOMP	REF COMPRESSOR	GRAY
J7-1	C FAN	CONDENSER FAN	WHITE/RED
J7-2	E FAN	REF FAN SWITCH	GRAY
J7-3	C FAN	ICE MAKER ACC (FILL TUBE)	WHITE/BLUE
J7-4	LITE	LIGHTS	YELLOW
J7-5	ICE MAKER	POWERS ICE MAKER	YELLOW
J7-6	NOT USED		
J7-7	NOT USED (NO PIN)		
J7-8	NEUTRAL	NEUTRAL INTO BOARD	WHITE
M-1	FRZ DOOR LIGHT SENSE	SENSES IF FRZ DOOR OPEN	ORANGE/BLACK
M-2	REF DOOR LIGHT SENSE	SENSES IF REF DOOR OPEN	ORANGE
M-3	NOT USED (NO PIN)		
M-4	DEF SENSOR	SENSES WHEN DEF HEATER SHUTS OFF	GRAY/WHITE
M-5	ICE MAKER WATER VALVE SENSOR	SENSES WATER VALVE ACTIVATION	TAN
LOW VOLTAGE THERMISTOR CIRCUITS			
J1-1	FRZ EVAP	SENSES FRZ EVAP TEMP	ORANGE/RED
J1-2	FRZ EVAP	SENSES FRZ EVAP TEMP	BLUE/RED
J1-3	REF EVAP	SENSES REF EVAP TEMP	ORANGE/YELLOW
J1-4	REF EVAP	SENSES REF EVAP TEMP	BLUE/YELLOW
J1-5	REF COMPARTMENT	SENSES REF COMPARTMENT	BLUE/WHITE
J1-6	REF COMPARTMENT	SENSES REF CABINET	BLUE/WHITE
J1-7	FRZ COMPARTMENT	SENSES FRZ CABINET TEMP	BLUE/BLACK
J1-8	FRZ COMPARTMENT	SENSES FRZ CABINET TEMP	BLUE/BLACK



# WIRING SCHEMATIC MODEL: 661-3

## WARNING

- This wiring information is provided for use by qualified service personnel only.
- Disconnect appliance from electrical supply before beginning service.
- Be sure all grounding devices are connected when service is complete.
- Failure to observe the above warnings may result in severe electrical shock.



P/N 7001966 REV A

# Wiring Diagrams / Schematics **Built-In (600-3) Series** **SUB-ZERO**

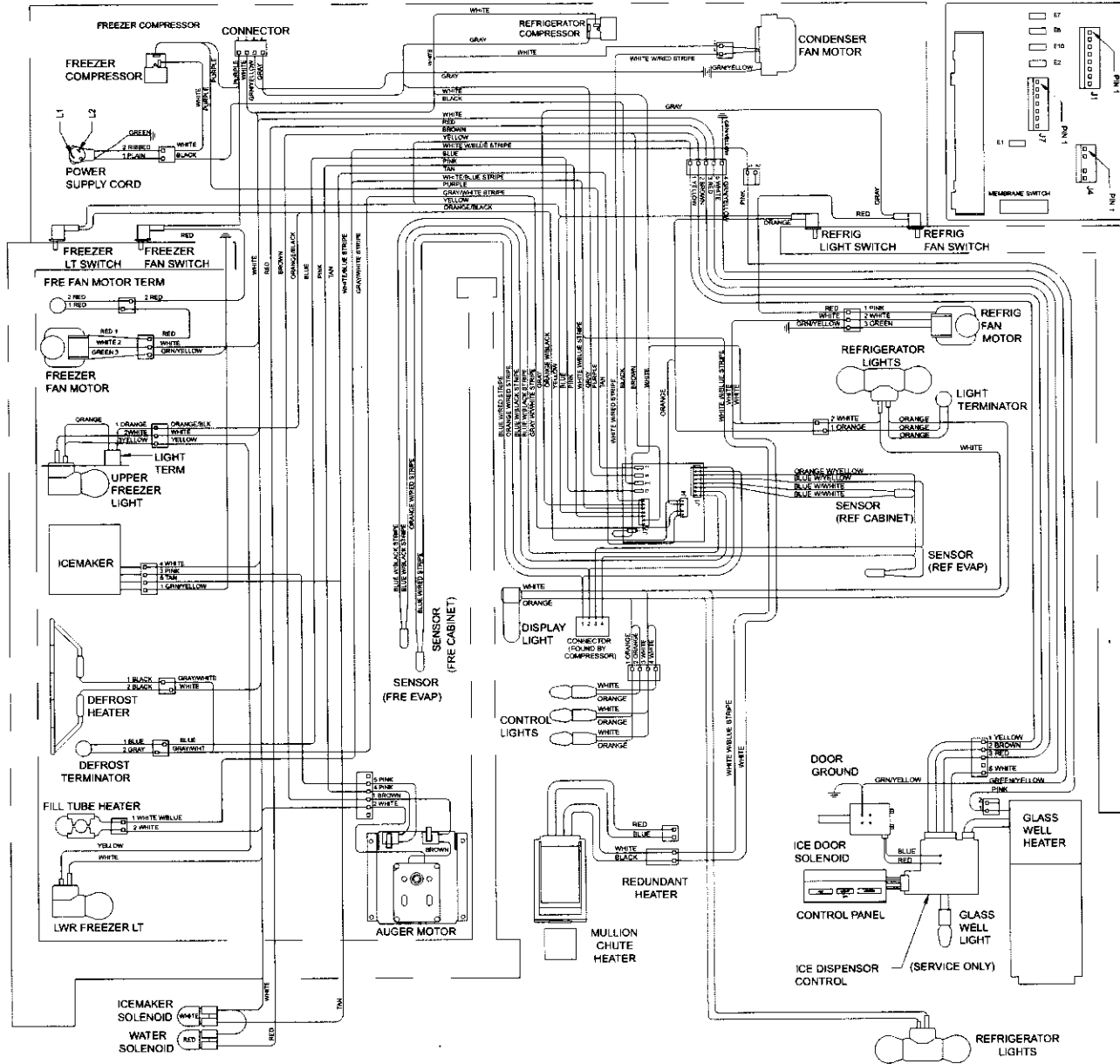
P/N 3758706 REV B

## WIRING DIAGRAM

### MODELS: 685-3/695-3

**⚠ WARNING**

-This wiring information is provided for use by qualified service personnel only.  
 -Disconnect appliance from electrical supply before beginning service.  
 -Be sure all grounding devices are connected when service is complete.  
 -Failure to observe the above warnings may result in severe electrical shock.



### CONTROL BOARD SUMMARY/ LAYOUT

CIRCUIT	DESCRIPTION	FUNCTION	COLOR	CIRCUIT	DESCRIPTION	FUNCTION	COLOR
120 VOLT CIRCUITS				120 VOLT CIRCUITS CONTINUED			
E1	NEUTRAL	NEUTRAL INTO BOARD	WHITE	J7-5	ICE MAKER	POWERS ICE MAKER	PINK
E2	DEFROST HEATER	POWERS DEFROST CIRCUIT	BLUE	J7-6	BULK ICE	POWERS AUGER MOTOR	BROWN
E6	REFRIGERATOR COMPRESSOR	POWERS REFRIG COMPRESSOR	GRAY	J7-7	NOT USED		
E7	FREEZER COMPRESSOR	POWERS FREEZER COMPRESSOR	PURPLE				
E10	POWER IN	POWER INTO BOARD	BLACK				
J4-1	FREEZER LIGHT SENSOR	SENSES IF FREEZER DOOR OPEN	ORANGE/BLK	J1-1	THERMISTERS CIRCUITS		
J4-2	REF LIGHT SENSOR	SENSES IF REF DOOR OPEN	ORANGE	J1-2	FREEZER EVAPORATOR	SENSES FRE EVAP TEMP	ORANGE/RED
J4-3	NOT USED (NO PIN)			J1-3	FREEZER EVAPORATOR	SENSES FRE EVAP TEMP	BLUE/RED
J4-4	DEFROST SENSE TERMINATOR	SENSES WHEN HEATER SHUTS OFF	GRAY/WHIT	J1-4	REFRIGERATOR EVAPORATOR	SENSES REF EVAP TEMP	ORANGE/YELLOW
J5-5	ICE MAKER VALVE	SENSES WATER VALVE ACTIVATION	TAN	J1-5	REFRIGERATOR EVAPORATOR	SENSES REF EVAP TEMP	BLUE/YELLOW
J7-1	CONDENSER	POWERS CONDENSER FAN	GRAY	J1-6	REFRIGERATOR COMPARTMENT	SENSES REF COMPARTMENT TEMP	BLUE/WHITE
J7-2	REFRIG FAN SWITCH	POWERS REF FAN SW	GRAY	J1-7	REFRIGERATOR COMPARTMENT	SENSES REF COMPARTMENT TEMP	BLUE/WHITE
J7-3	ICE MAKER ACCESSORIES (FILL TUBE)	POWERS FILL TUBE AND ACCESSORIES	WHIT/BLUE	J1-8	FREEZER COMPARTMENT	SENSES FREZ COMPARTMENT TEMP	BLUE/BLACK
J7-4	LIGHTS	POWERS LIGHTS	YELLOW				





P/N 3758706 REV B

## WIRING SCHEMATIC MODELS: 685-3/695-3

### WARNING

- This wiring information is provided for use by qualified service personnel only.
- Disconnect appliance from electrical supply before beginning service.
- Be sure all grounding devices are connected when service is complete.
- Failure to observe the above warnings may result in severe electrical shock.

