

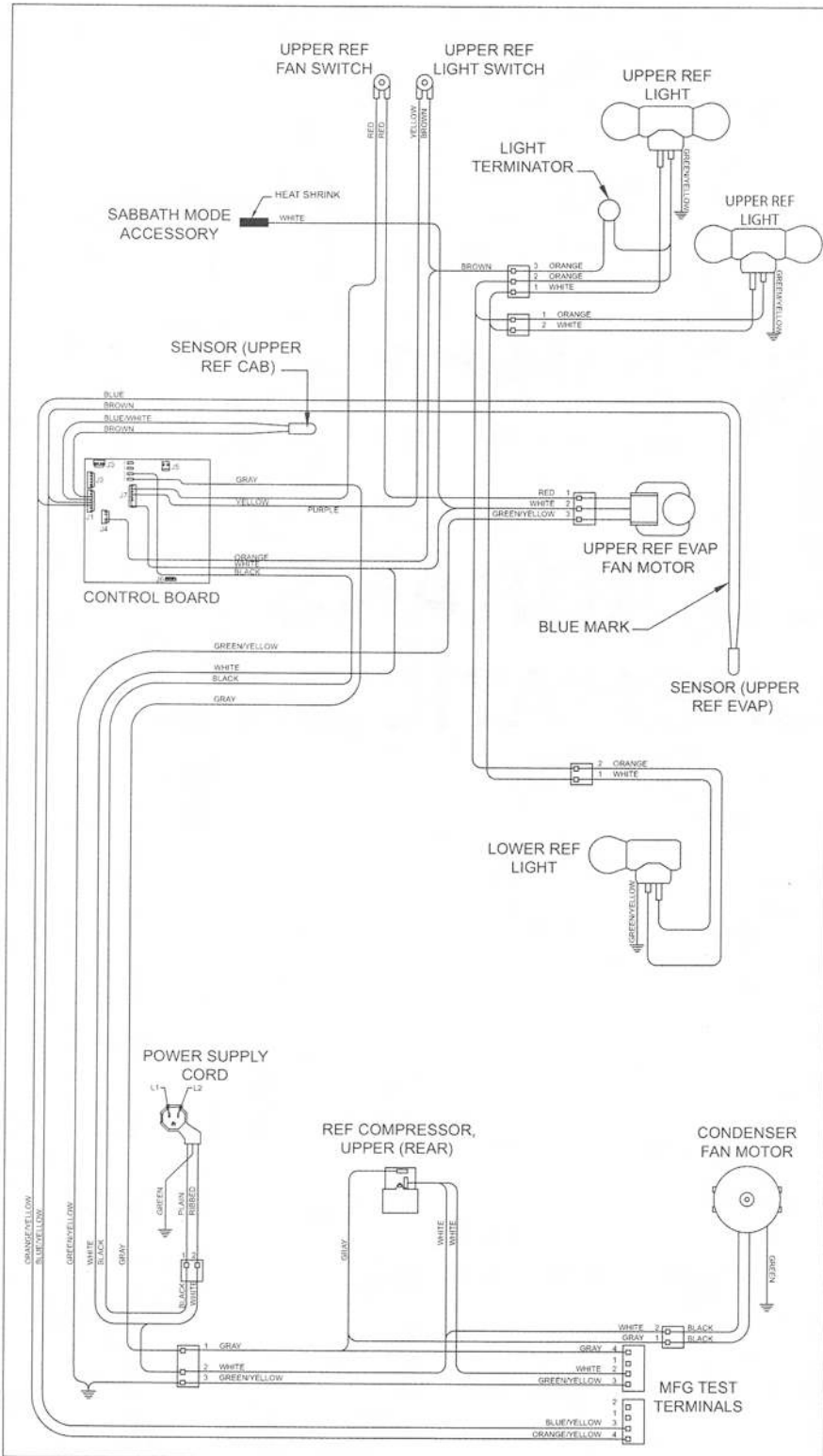
SECTION 10

WIRE DIAGRAMS & SCHEMATICS



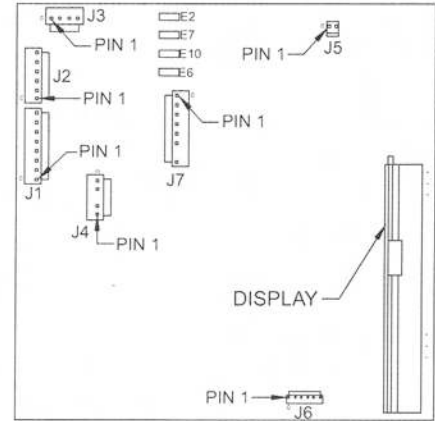
PART NUMBER 7010045

WIRING DIAGRAM MODEL: IC-27R



WARNING

- This wiring information is provided for use by qualified service personnel only.
- Disconnect appliance from electrical supply before beginning service.
- Be sure all grounding devices are connected when service is complete.
- Failure to observe the above warnings may result in severe electrical shock.



CONTROL BOARD DETAIL

CONTROL BOARD SUMMARY

CIRCUIT	DESCRIPTION	FUNCTION	COLOR
E2	120 VOLT CIRCUITS NOT USED		
E7	POWER IN		BLACK
E10	UPPER REF COMPRESSOR	POWERS UPPER REF COMP	GRAY
E6	CONDENSER FAN	POWERS CONDENSER FAN	WHITE/RED
J7-1	REF EVAP FAN	POWERS REF EVAP FAN	RED
J7-2	LITES	POWERS LITES	YELLOW
J7-3	NOT USED		WHITE
J7-4	NOT USED (NO PIN)		ORANGE
J7-5	NEUTRAL	NEUTRAL INTO BOARD	
J7-6	NEUTRAL	SENSES IF DOOR OPEN	
J7-7	DOOR LIGHTS SENSE		
J7-8	NOT USED (NO PIN)		
J4-1	NOT USED		
J4-2	NOT USED		
J4-3	NOT USED		
J4-4	NOT USED		
J4-5	LOW VOLTAGE THERMISTOR CIRCUITS		
J1-1	UPPER REF EVAP	SENSES UPPER REF EVAP TEMP	BLUE
J1-2	UPPER REF EVAP	SENSES UPPER REF EVAP TEMP	BROWN
J1-3	UPPER REF COMPARTMENT	SENSES UPPER REF CABINET TEMP	BLUE/WHITE
J1-4	UPPER REF COMPARTMENT	SENSES UPPER REF CABINET TEMP	BROWN
J1-5	UPPER REF COMPARTMENT		
J1-6	UPPER REF COMPARTMENT		
J1-7			
J1-8			

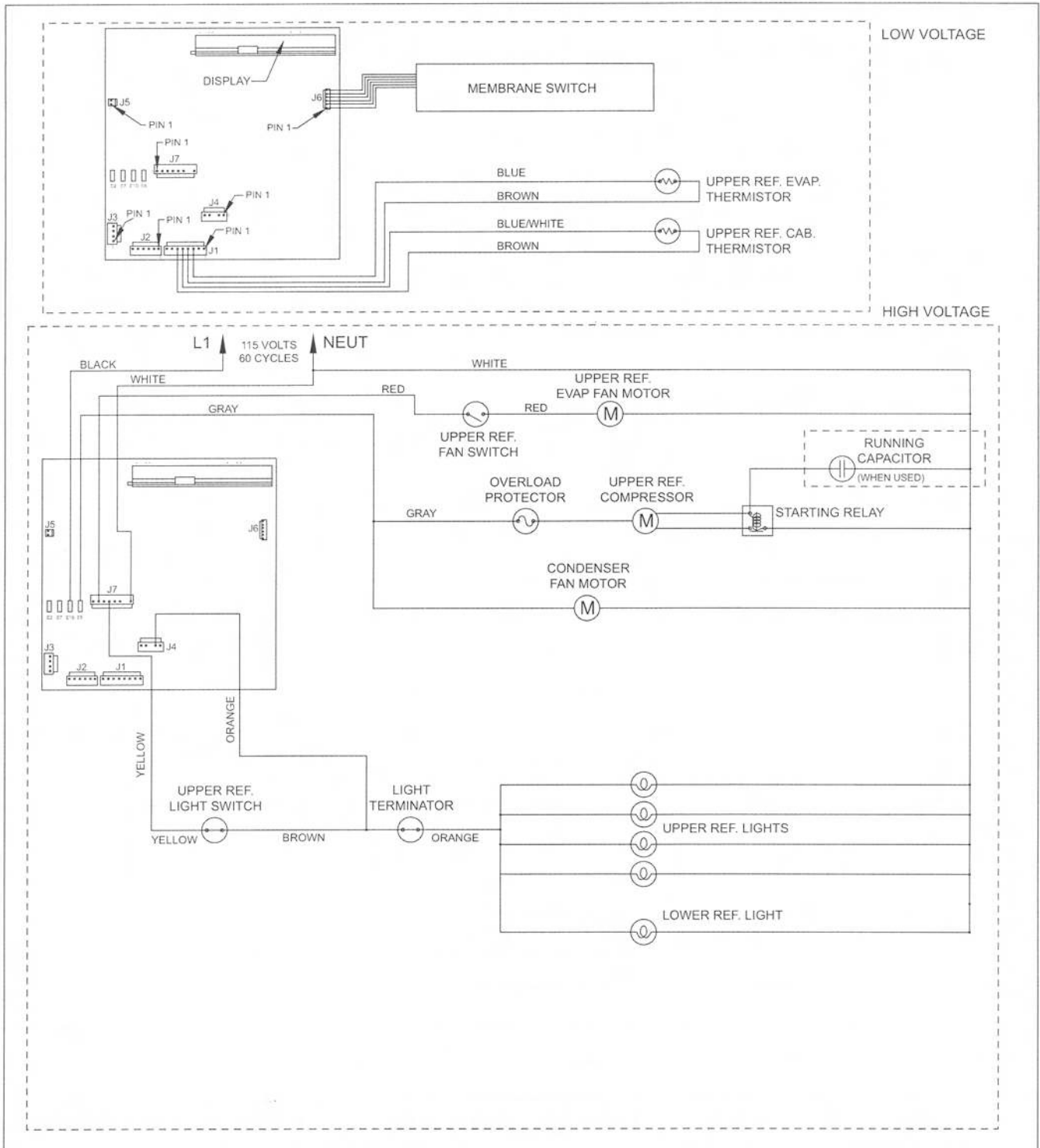


PART NUMBER 7010045

WIRING SCHEMATIC MODEL: IC-27R

WARNING

- This wiring information is provided for use by qualified service personnel only.
- Disconnect appliance from electrical supply before beginning service.
- Be sure all grounding devices are connected when service is complete.
- Failure to observe the above warnings may result in severe electrical shock.



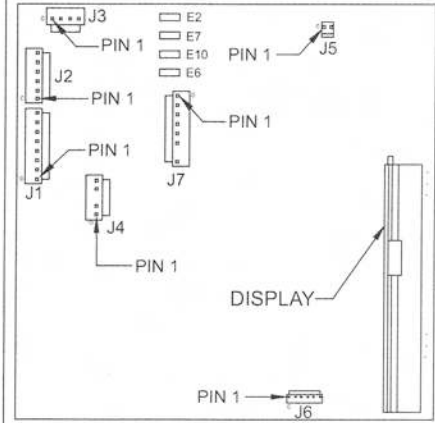
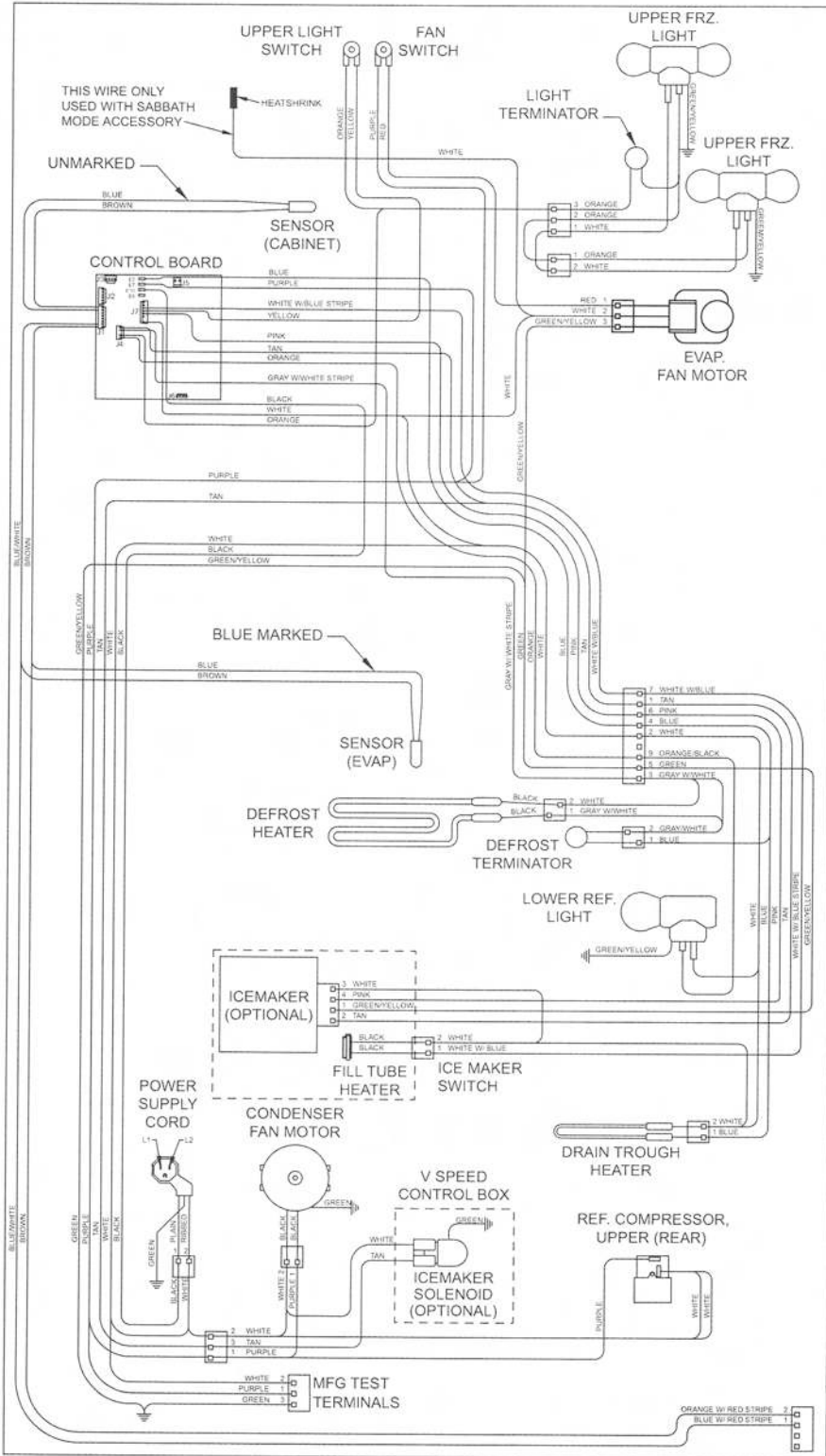


PART NUMBER 7015687

WIRING DIAGRAM MODEL: IC-27F

WARNING

- This wiring information is provided for use by qualified service personnel only.
- Disconnect appliance from electrical supply before beginning service.
- Be sure all grounding devices are connected when service is complete.
- Failure to observe the above warnings may result in severe electrical shock.



CONTROL BOARD DETAIL

CONTROL BOARD SUMMARY

CIRCUIT	DESCRIPTION	FUNCTION	COLOR
E2	120 VOLT CIRCUITS	POWERS DEFROST CIRCUIT	BLUE
E7	DEFROST HEATER	POWERS COMPRESSOR	PURPLE
E6	COMPRESSOR	POWER INTO BOARD	BLACK
E6	L1		GRAY
J7-1	NOT USED		WHITETERED
J7-2	ICE MAKER ACC (FILL TUBE)	POWERS FILL TUBE HEATER AND ACCESSORIES	WHITE/BLUE
J7-3	LITES	POWERS LIGHTS	YELLOW
J7-4	ICE	POWERS ICE MAKER	PINK
J7-5	ICE		
J7-6	NOT USED		
J7-7	NOT USED (NO PIN)		
J7-8	NEU	NEUTRAL INTO BOARD	WHITE
J4-2	R DR	SENSES IF DOOR OPEN	ORANGE
J4-3	DOOR LIGHTS SENSE	SENSES IF DEFROST HEATER IS ON OR OFF	GRAY/WHITE
J4-4	DEFROST HEATER SENSE	SENSES IF WATER VALVE IS ON OR OFF	TAN
J4-5	ICE MAKER VALVE SENSE		
J1-1	EVAP FRZ	SENSES FRZ EVAP TEMP	BLUE/WHITE
J1-2	EVAP FRZ	SENSES FRZ EVAP TEMP	BROWN
J1-3 THRU 6	FRZ	SENSES FRZ CABINET TEMP	BLUE/BLACK
J1-7	FRZ	SENSES FRZ CABINET TEMP	BLUE/BLACK
J1-8	FRZ	SENSES FRZ CABINET TEMP	BROWN



PART NUMBER 7010045

WIRING SCHEMATIC MODEL: IC-27R

WARNING

- This wiring information is provided for use by qualified service personnel only.
- Disconnect appliance from electrical supply before beginning service.
- Be sure all grounding devices are connected when service is complete.
- Failure to observe the above warnings may result in severe electrical shock.

