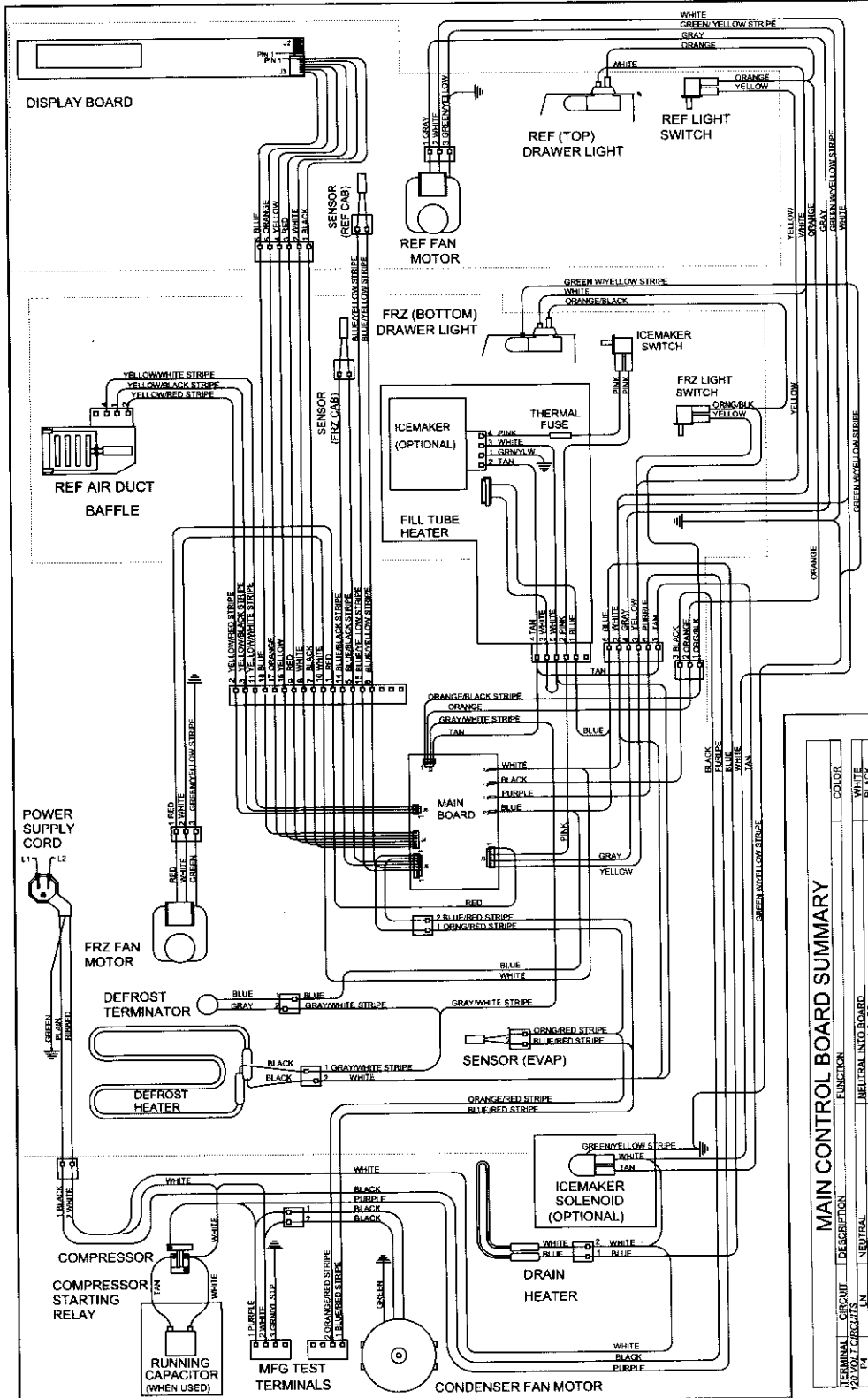


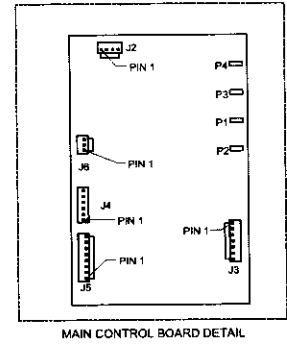


# WIRING DIAGRAM MODEL 700 BC/BCI-3 (Prior to Serial #2300444)



**WARNING**

This wiring information is provided for use by qualified service personnel only.  
 -Disconnect appliance from electrical supply before beginning service.  
 -Be sure all grounding devices are connected when service is complete.  
 -Failure to observe the above warnings may result in severe electrical shock.



**MAIN CONTROL BOARD SUMMARY**

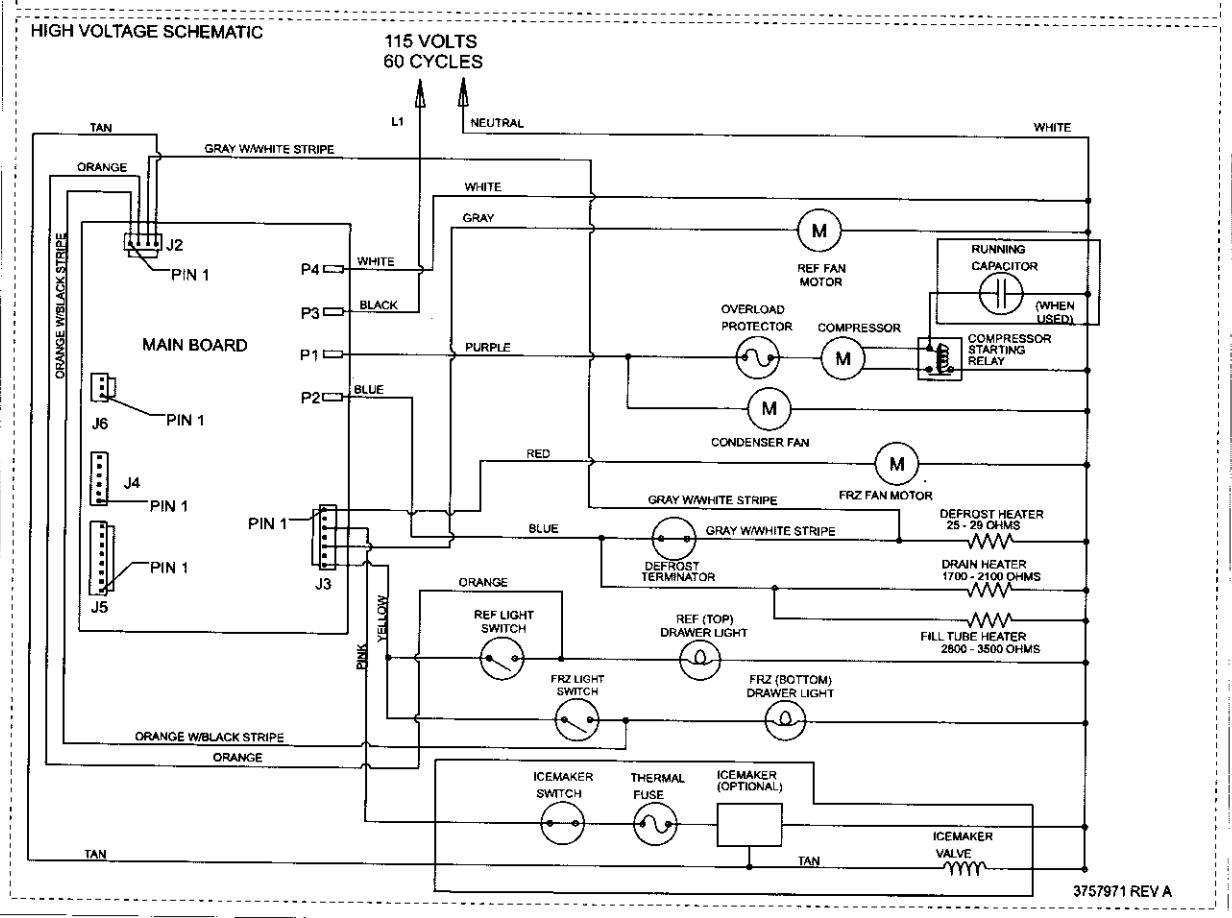
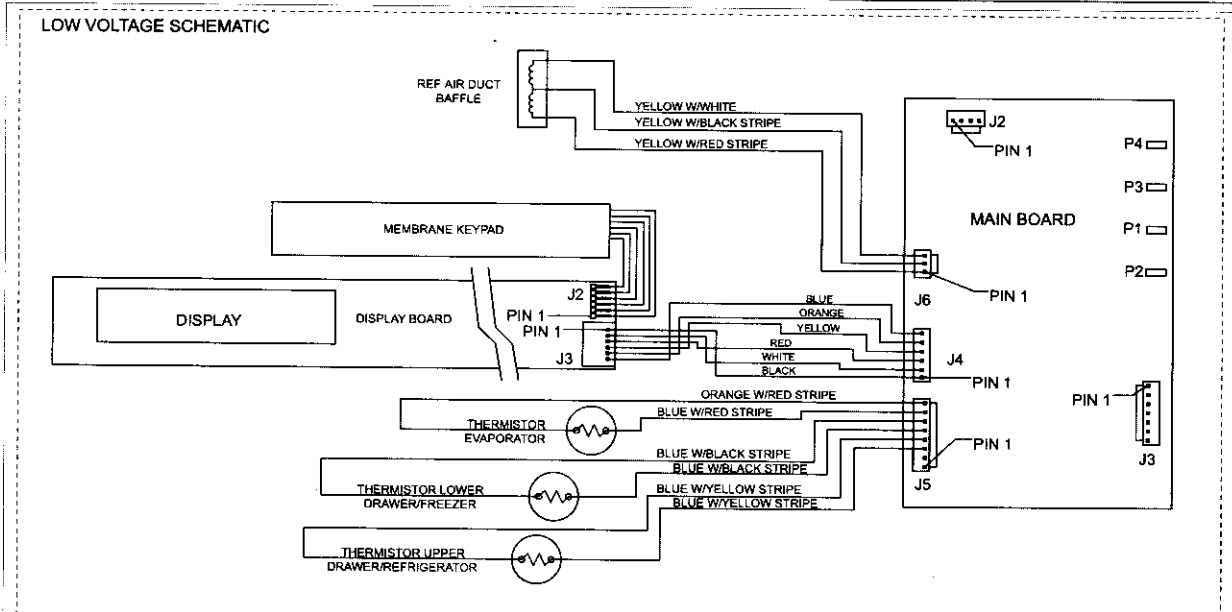
TERMINAL	CIRCUIT	DESCRIPTION	FUNCTION	COLOR
120	VOLT CIRCUITS	NEUTRAL INTO BOARD		WHITE
L1		POWER IN		BLACK
P1		COMPRESSOR AND CONDENSER FAN		BLUE
P2		DEFROST HEATER		PURPLE
J5-1		DEFROST MOTOR FAN		RED
J5-2		ICE MAKER		PINK
J5-3		ICE MAKER WATER VALVE		GRAY
J5-4		ICE MAKER WATER VALVE		GRAY
J5-5		ICE MAKER WATER VALVE		GRAY
J5-6		ICE MAKER WATER VALVE		GRAY
J5-7		ICE MAKER WATER VALVE		GRAY
J5-8		ICE MAKER WATER VALVE		GRAY
J5-9		ICE MAKER WATER VALVE		GRAY
J5-10		ICE MAKER WATER VALVE		GRAY
J5-11		ICE MAKER WATER VALVE		GRAY
J5-12		ICE MAKER WATER VALVE		GRAY
J5-13		ICE MAKER WATER VALVE		GRAY
J5-14		ICE MAKER WATER VALVE		GRAY
J5-15		ICE MAKER WATER VALVE		GRAY
J5-16		ICE MAKER WATER VALVE		GRAY
J5-17		ICE MAKER WATER VALVE		GRAY
J5-18		ICE MAKER WATER VALVE		GRAY
J5-19		ICE MAKER WATER VALVE		GRAY
J5-20		ICE MAKER WATER VALVE		GRAY
J5-21		ICE MAKER WATER VALVE		GRAY
J5-22		ICE MAKER WATER VALVE		GRAY
J5-23		ICE MAKER WATER VALVE		GRAY
J5-24		ICE MAKER WATER VALVE		GRAY
J5-25		ICE MAKER WATER VALVE		GRAY
J5-26		ICE MAKER WATER VALVE		GRAY
J5-27		ICE MAKER WATER VALVE		GRAY
J5-28		ICE MAKER WATER VALVE		GRAY
J5-29		ICE MAKER WATER VALVE		GRAY
J5-30		ICE MAKER WATER VALVE		GRAY
J5-31		ICE MAKER WATER VALVE		GRAY
J5-32		ICE MAKER WATER VALVE		GRAY
J5-33		ICE MAKER WATER VALVE		GRAY
J5-34		ICE MAKER WATER VALVE		GRAY
J5-35		ICE MAKER WATER VALVE		GRAY
J5-36		ICE MAKER WATER VALVE		GRAY
J5-37		ICE MAKER WATER VALVE		GRAY
J5-38		ICE MAKER WATER VALVE		GRAY
J5-39		ICE MAKER WATER VALVE		GRAY
J5-40		ICE MAKER WATER VALVE		GRAY
J5-41		ICE MAKER WATER VALVE		GRAY
J5-42		ICE MAKER WATER VALVE		GRAY
J5-43		ICE MAKER WATER VALVE		GRAY
J5-44		ICE MAKER WATER VALVE		GRAY
J5-45		ICE MAKER WATER VALVE		GRAY
J5-46		ICE MAKER WATER VALVE		GRAY
J5-47		ICE MAKER WATER VALVE		GRAY
J5-48		ICE MAKER WATER VALVE		GRAY
J5-49		ICE MAKER WATER VALVE		GRAY
J5-50		ICE MAKER WATER VALVE		GRAY
J5-51		ICE MAKER WATER VALVE		GRAY
J5-52		ICE MAKER WATER VALVE		GRAY
J5-53		ICE MAKER WATER VALVE		GRAY
J5-54		ICE MAKER WATER VALVE		GRAY
J5-55		ICE MAKER WATER VALVE		GRAY
J5-56		ICE MAKER WATER VALVE		GRAY
J5-57		ICE MAKER WATER VALVE		GRAY
J5-58		ICE MAKER WATER VALVE		GRAY
J5-59		ICE MAKER WATER VALVE		GRAY
J5-60		ICE MAKER WATER VALVE		GRAY
J5-61		ICE MAKER WATER VALVE		GRAY
J5-62		ICE MAKER WATER VALVE		GRAY
J5-63		ICE MAKER WATER VALVE		GRAY
J5-64		ICE MAKER WATER VALVE		GRAY
J5-65		ICE MAKER WATER VALVE		GRAY
J5-66		ICE MAKER WATER VALVE		GRAY
J5-67		ICE MAKER WATER VALVE		GRAY
J5-68		ICE MAKER WATER VALVE		GRAY
J5-69		ICE MAKER WATER VALVE		GRAY
J5-70		ICE MAKER WATER VALVE		GRAY
J5-71		ICE MAKER WATER VALVE		GRAY
J5-72		ICE MAKER WATER VALVE		GRAY
J5-73		ICE MAKER WATER VALVE		GRAY
J5-74		ICE MAKER WATER VALVE		GRAY
J5-75		ICE MAKER WATER VALVE		GRAY
J5-76		ICE MAKER WATER VALVE		GRAY
J5-77		ICE MAKER WATER VALVE		GRAY
J5-78		ICE MAKER WATER VALVE		GRAY
J5-79		ICE MAKER WATER VALVE		GRAY
J5-80		ICE MAKER WATER VALVE		GRAY
J5-81		ICE MAKER WATER VALVE		GRAY
J5-82		ICE MAKER WATER VALVE		GRAY
J5-83		ICE MAKER WATER VALVE		GRAY
J5-84		ICE MAKER WATER VALVE		GRAY
J5-85		ICE MAKER WATER VALVE		GRAY
J5-86		ICE MAKER WATER VALVE		GRAY
J5-87		ICE MAKER WATER VALVE		GRAY
J5-88		ICE MAKER WATER VALVE		GRAY
J5-89		ICE MAKER WATER VALVE		GRAY
J5-90		ICE MAKER WATER VALVE		GRAY
J5-91		ICE MAKER WATER VALVE		GRAY
J5-92		ICE MAKER WATER VALVE		GRAY
J5-93		ICE MAKER WATER VALVE		GRAY
J5-94		ICE MAKER WATER VALVE		GRAY
J5-95		ICE MAKER WATER VALVE		GRAY
J5-96		ICE MAKER WATER VALVE		GRAY
J5-97		ICE MAKER WATER VALVE		GRAY
J5-98		ICE MAKER WATER VALVE		GRAY
J5-99		ICE MAKER WATER VALVE		GRAY
J5-100		ICE MAKER WATER VALVE		GRAY

3757971 REV A

# WIRING SCHEMATIC MODEL 700 BC/BCI-3 (Prior to Serial #2300444)

**WARNING**

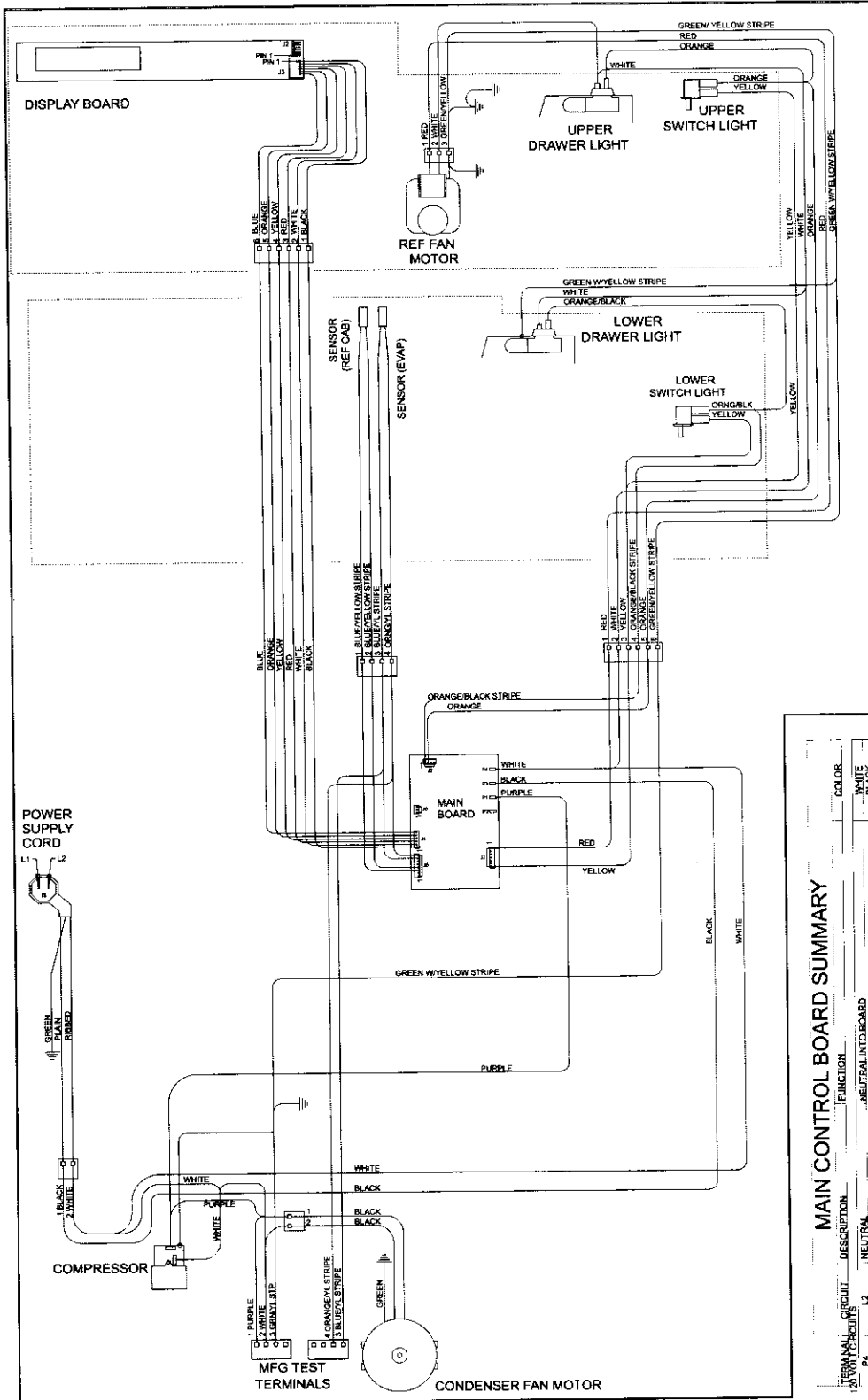
- This wiring information is provided for use by qualified service personnel only.
- Disconnect appliance from electrical supply before beginning service.
- Be sure all grounding devices are connected when service is complete.
- Failure to observe the above warnings may result in severe electrical shock.



3757971 REV A

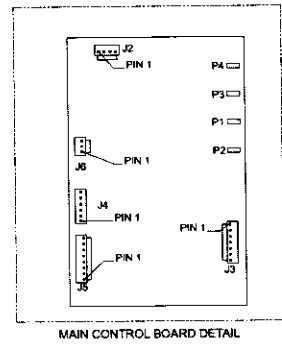


# WIRING DIAGRAM MODEL 700BR-3



**WARNING**

-This wiring information is provided for use by qualified service personnel only.  
 -Disconnect appliance from electrical supply before beginning service.  
 -Be sure all grounding devices are connected when service is complete.  
 -Failure to observe the above warnings may result in severe electrical shock.



## MAIN CONTROL BOARD SUMMARY

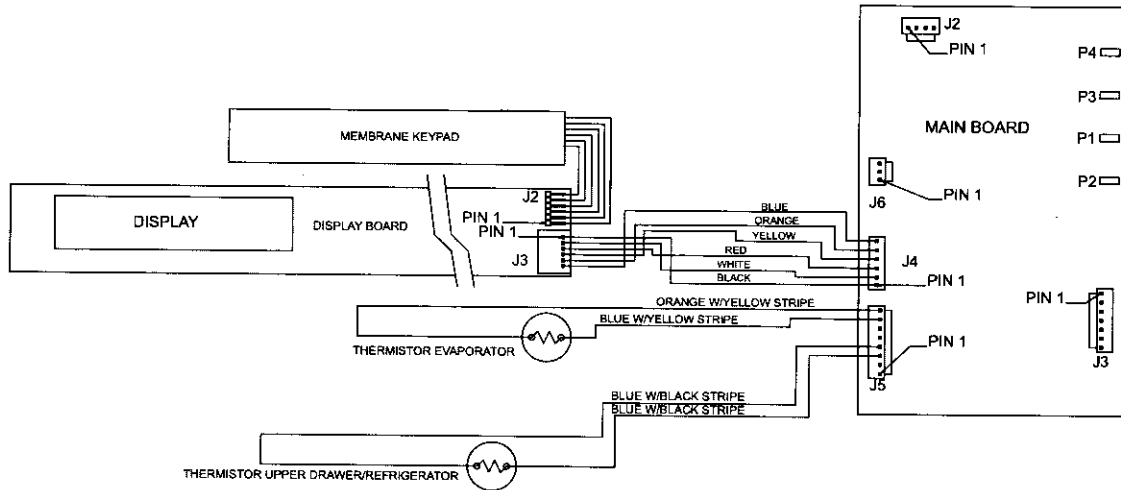
TERMINAL/CIRCUIT	DESCRIPTION	FUNCTION	COLOR
P4	NEUTRAL WIRE BOARD	NEUTRAL WIRE BOARD	WHITE
P5	NEUTRAL WIRE BOARD	NEUTRAL WIRE BOARD	BLACK
P6	COMPRESSOR	POWERS COMPRESSOR AND CONDENSER FAN	PURPLE
P7	NOT USED		
J3-1	EVAPORATOR FAN	POWERS EVAPORATOR FAN	RED
J3-2	NOT USED		
J3-3	NOT USED		
J3-4	NOT USED		
J3-5	NOT USED		
J3-6	NOT USED		
J2-1	UPPER LIGHT SENSE	POWERS LIGHTS	YELLOW
J2-2	UPPER LIGHT SENSE	SENSES IF UPPER DRAWER OPEN	ORANGE
J2-3	UPPER LIGHT SENSE	SENSES IF LOWER DRAWER OPEN	ORANGE/BLACK
J2-4	UPPER LIGHT SENSE		
J2-5	UPPER LIGHT SENSE		
J2-6	UPPER LIGHT SENSE		
J2-7	UPPER LIGHT SENSE		
J2-8	UPPER LIGHT SENSE		
J2-9	UPPER LIGHT SENSE		
J2-10	UPPER LIGHT SENSE		
J2-11	UPPER LIGHT SENSE		
J2-12	UPPER LIGHT SENSE		
J5-1,2	LOW VOLTAGE THERMISTOR CIRCUITS		
J5-3,4	REFRIGERATOR COMPARTMENT	SENSES REFRIGERATOR CABINET TEMPERATURE	BLUE/BLACK
J5-5,6	EVAP	SENSES EVAPORATOR TEMPERATURE	BLUE/YELLOW
J5-7	EVAPORATOR	SENSES EVAPORATOR TEMPERATURE	ORANGE/YELLOW
J5-8	NOT USED		
J5-9	NOT USED		
J4-1	DISPLAY WIRING	12VDC POWER SUPPLY FOR DISPLAY BOARD	BLACK
J4-2	DISPLAY WIRING	12VDC POWER SUPPLY FOR DISPLAY BOARD	RED
J4-3	DISPLAY WIRING	12VDC POWER SUPPLY FOR DISPLAY BOARD	YELLOW
J4-4	DISPLAY WIRING	12VDC POWER SUPPLY FOR DISPLAY BOARD	ORANGE
J4-5	DISPLAY WIRING	12VDC POWER SUPPLY FOR DISPLAY BOARD	ORANGE
J4-6	DISPLAY WIRING	12VDC POWER SUPPLY FOR DISPLAY BOARD	BLUE

# WIRING SCHEMATIC MODEL 700BR-3

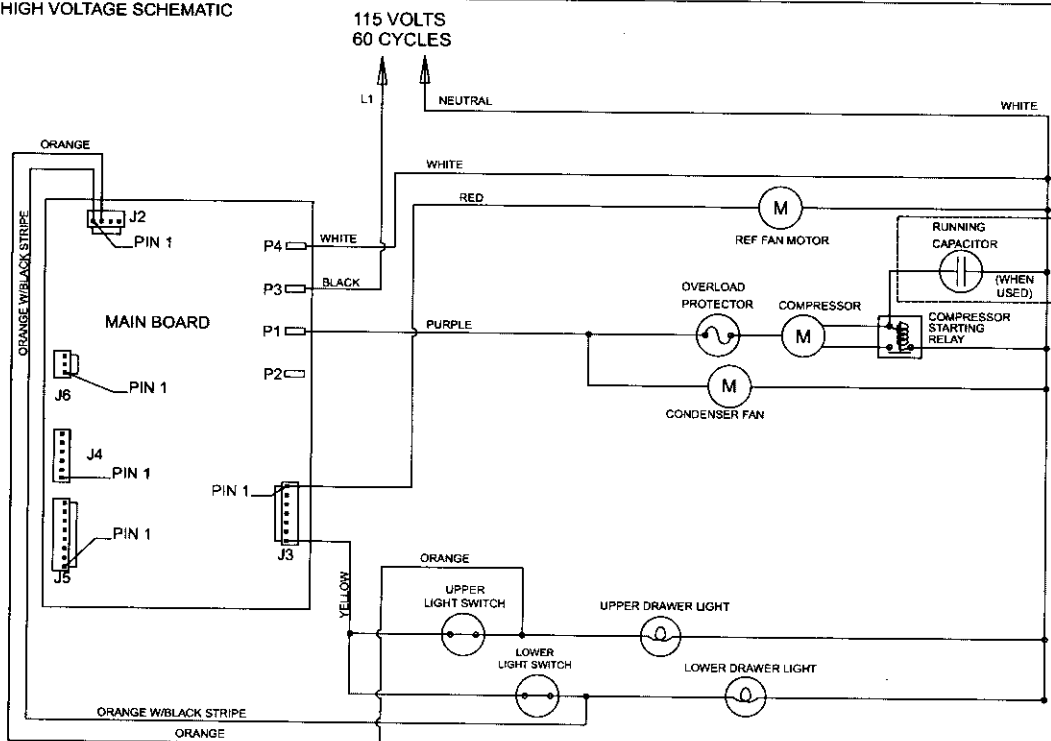
## WARNING

-This wiring information is provided for use by qualified service personnel only.  
 -Disconnect appliance from electrical supply before beginning service.  
 -Be sure all grounding devices are connected when service is complete.  
 -Failure to observe the above warnings may result in severe electrical shock.

### LOW VOLTAGE SCHEMATIC



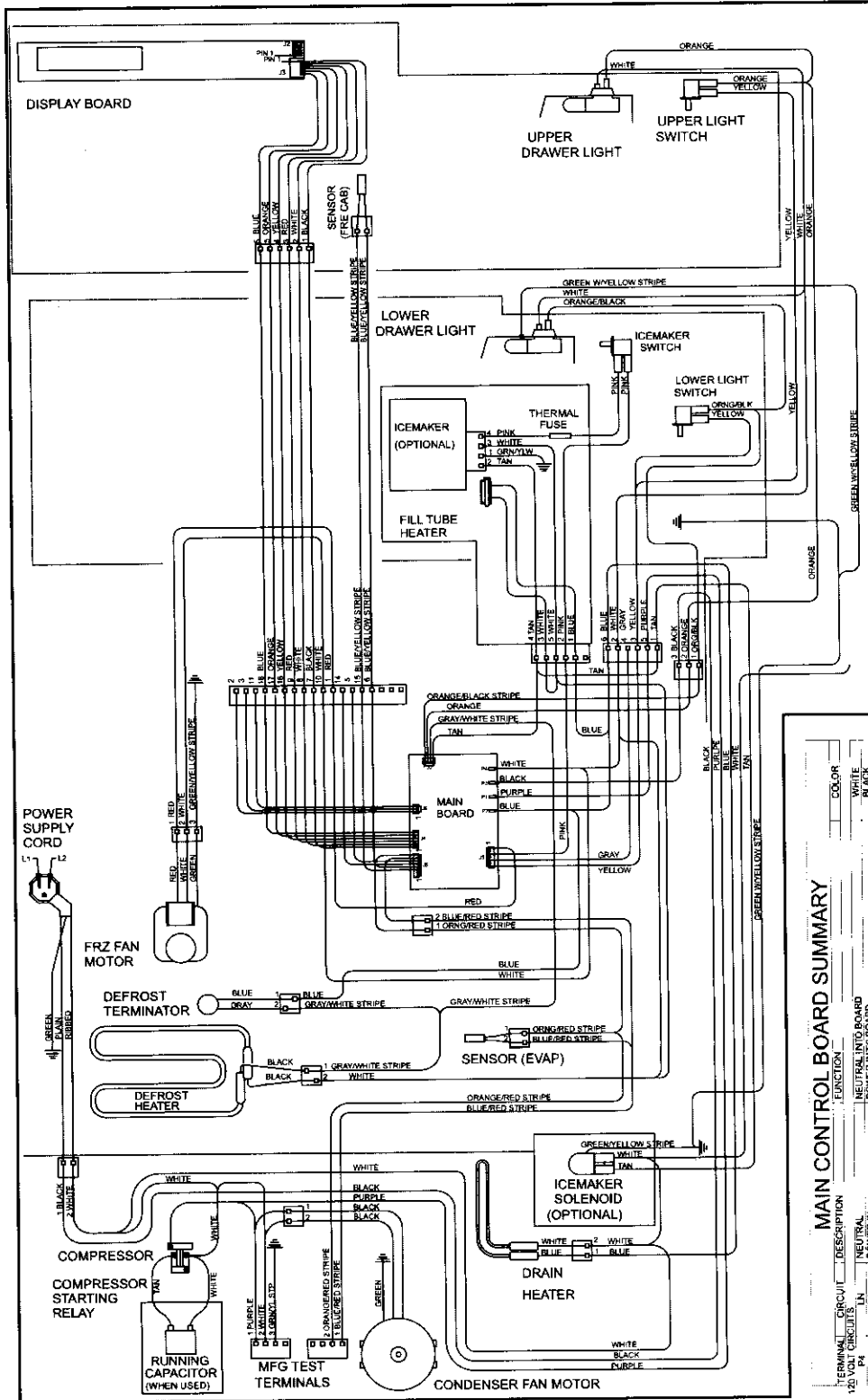
### HIGH VOLTAGE SCHEMATIC



P/N 3758575 REV A

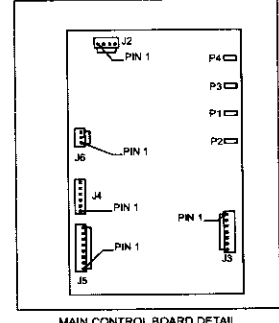


# WIRING DIAGRAM MODEL 700 BF/BFI-3



**WARNING**

This wiring information is provided for use by qualified service personnel only.  
 -Disconnect appliance from electrical supply before beginning service.  
 -Be sure all grounding devices are connected when service is complete.  
 -Failure to observe the above warnings may result in severe electrical shock.



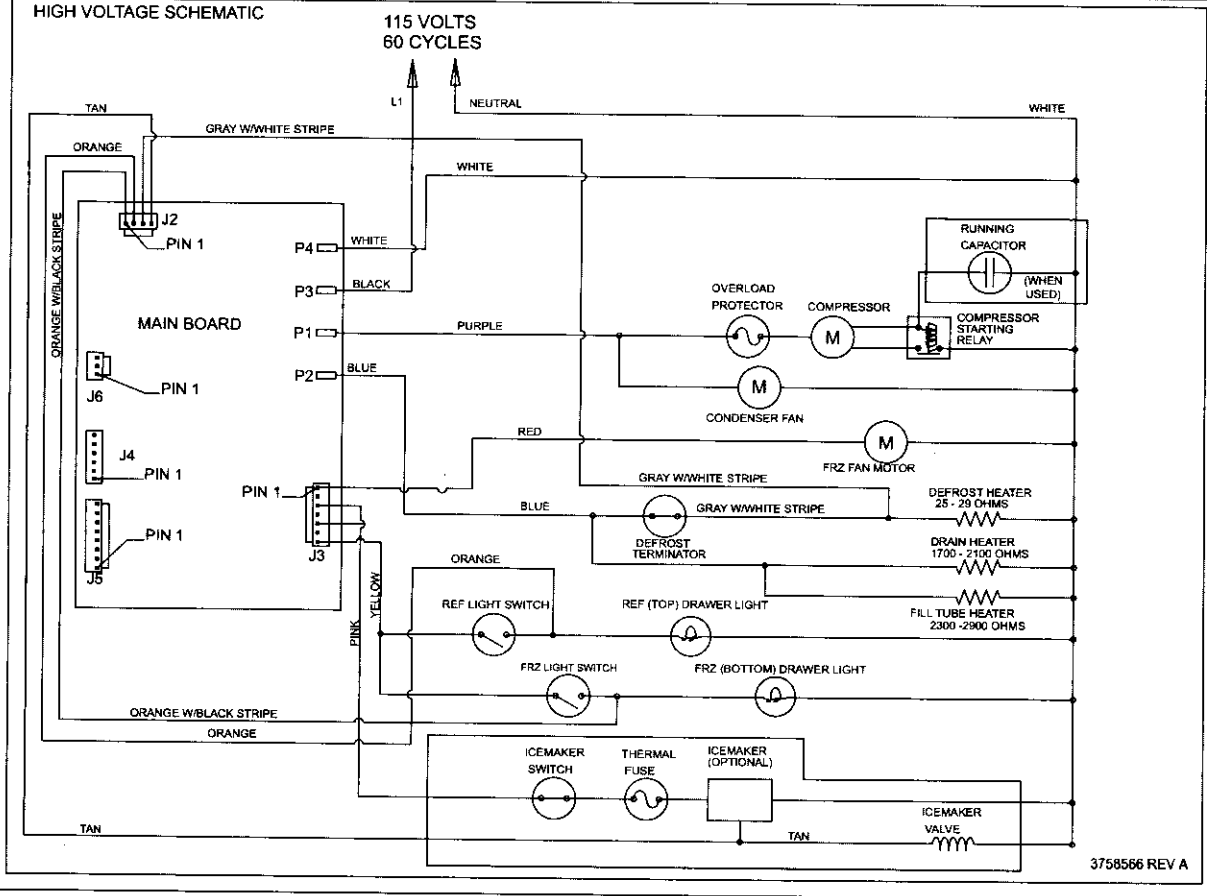
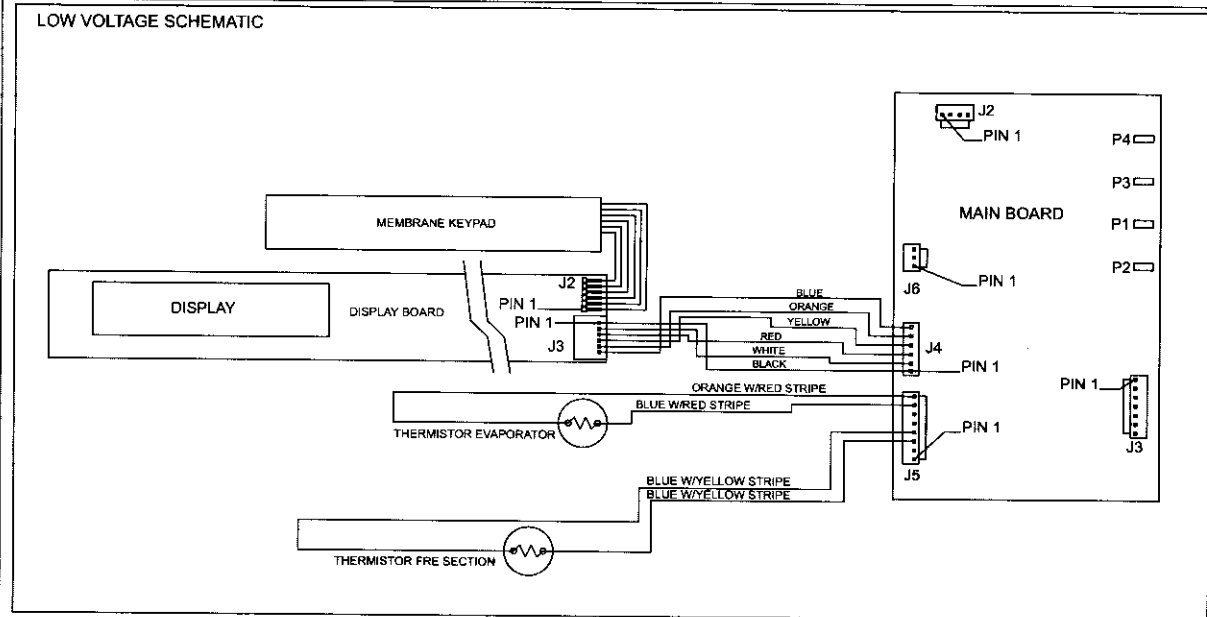
**MAIN CONTROL BOARD SUMMARY**

TERMINAL	CIRCUIT	DESCRIPTION	FUNCTION	COLOR
1	120 VOLT CIRCUITS	NEUTRAL INTO BOARD		WHITE
2	120 VOLT CIRCUITS	POWER INTO BOARD		BLACK
3	120 VOLT CIRCUITS	POWER TO COMPRESSOR AND CONDENSER FAN		PURPLE
4	120 VOLT CIRCUITS	DEFROST HEATER		RED
5	120 VOLT CIRCUITS	DEFROST TERMINATOR		RED
6	120 VOLT CIRCUITS	DEFROST HEATER		RED
7	120 VOLT CIRCUITS	DEFROST HEATER		RED
8	120 VOLT CIRCUITS	DEFROST HEATER		RED
9	120 VOLT CIRCUITS	DEFROST HEATER		RED
10	120 VOLT CIRCUITS	DEFROST HEATER		RED
11	120 VOLT CIRCUITS	DEFROST HEATER		RED
12	120 VOLT CIRCUITS	DEFROST HEATER		RED
13	120 VOLT CIRCUITS	DEFROST HEATER		RED
14	120 VOLT CIRCUITS	DEFROST HEATER		RED
15	120 VOLT CIRCUITS	DEFROST HEATER		RED
16	120 VOLT CIRCUITS	DEFROST HEATER		RED
17	120 VOLT CIRCUITS	DEFROST HEATER		RED
18	120 VOLT CIRCUITS	DEFROST HEATER		RED
19	120 VOLT CIRCUITS	DEFROST HEATER		RED
20	120 VOLT CIRCUITS	DEFROST HEATER		RED
21	120 VOLT CIRCUITS	DEFROST HEATER		RED
22	120 VOLT CIRCUITS	DEFROST HEATER		RED
23	120 VOLT CIRCUITS	DEFROST HEATER		RED
24	120 VOLT CIRCUITS	DEFROST HEATER		RED
25	120 VOLT CIRCUITS	DEFROST HEATER		RED
26	120 VOLT CIRCUITS	DEFROST HEATER		RED
27	120 VOLT CIRCUITS	DEFROST HEATER		RED
28	120 VOLT CIRCUITS	DEFROST HEATER		RED
29	120 VOLT CIRCUITS	DEFROST HEATER		RED
30	120 VOLT CIRCUITS	DEFROST HEATER		RED
31	120 VOLT CIRCUITS	DEFROST HEATER		RED
32	120 VOLT CIRCUITS	DEFROST HEATER		RED
33	120 VOLT CIRCUITS	DEFROST HEATER		RED
34	120 VOLT CIRCUITS	DEFROST HEATER		RED
35	120 VOLT CIRCUITS	DEFROST HEATER		RED
36	120 VOLT CIRCUITS	DEFROST HEATER		RED
37	120 VOLT CIRCUITS	DEFROST HEATER		RED
38	120 VOLT CIRCUITS	DEFROST HEATER		RED
39	120 VOLT CIRCUITS	DEFROST HEATER		RED
40	120 VOLT CIRCUITS	DEFROST HEATER		RED
41	120 VOLT CIRCUITS	DEFROST HEATER		RED
42	120 VOLT CIRCUITS	DEFROST HEATER		RED
43	120 VOLT CIRCUITS	DEFROST HEATER		RED
44	120 VOLT CIRCUITS	DEFROST HEATER		RED
45	120 VOLT CIRCUITS	DEFROST HEATER		RED
46	120 VOLT CIRCUITS	DEFROST HEATER		RED

# WIRING SCHEMATIC MODEL 700 BF/BFI-3

## WARNING

-This wiring information is provided for use by qualified service personnel only.  
 -Disconnect appliance from electrical supply before beginning service.  
 -Be sure all grounding devices are connected when service is complete.  
 -Failure to observe the above warnings may result in severe electrical shock.



3758566 REV A